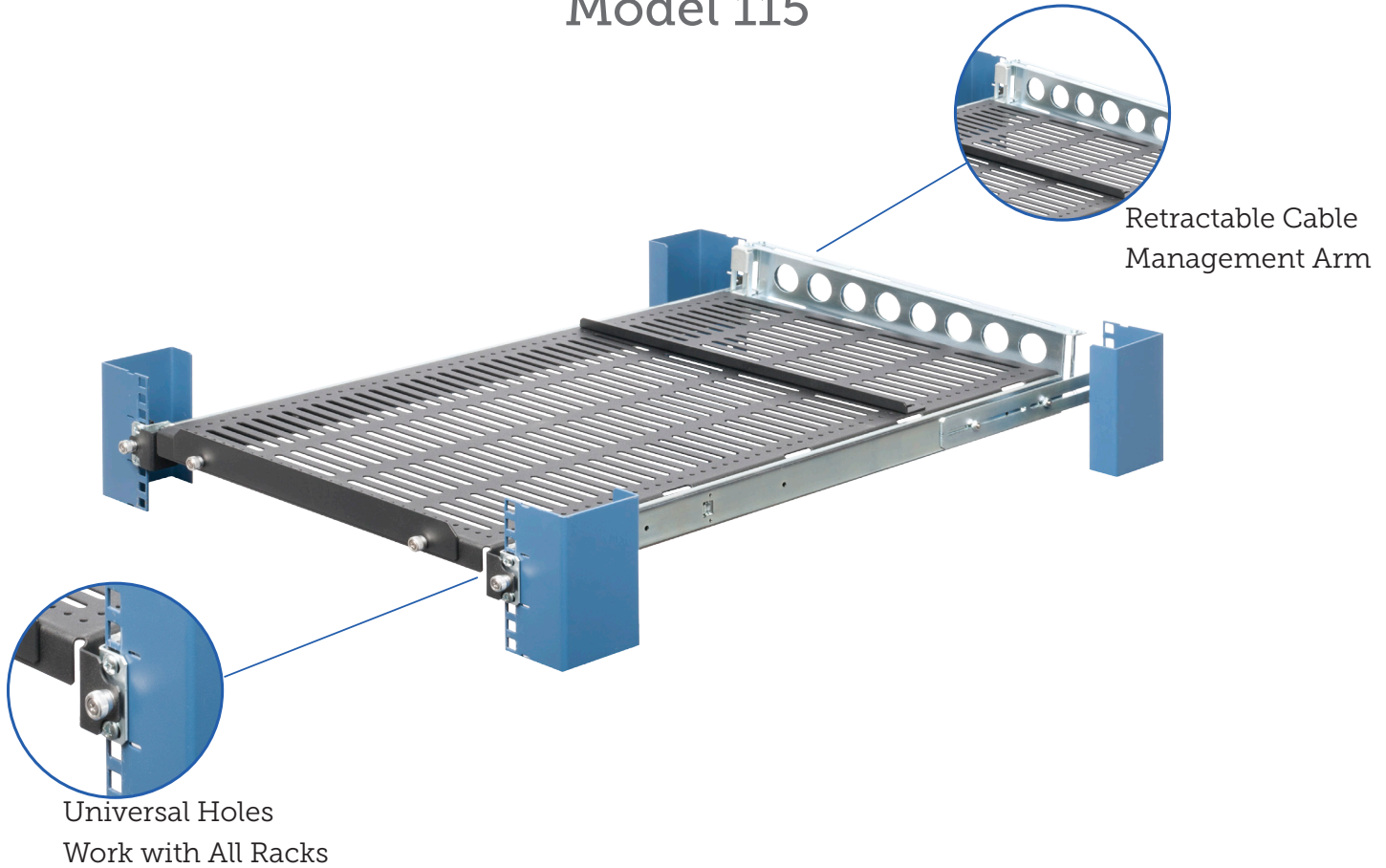


Sliding Computer Shelves

Model 115



Description

RackSolution's Sliding Computing Shelves are made for 4Post racks offers a weighing capacity of 95 lbs (43 kgs). The Sliding Computing Shelves fit square, round, and threaded holes. It also has an adjustable mounting depth of 15.5-31.5" (393-800 mm)

Part Number	Description
1USHL-115	Sliding Equipment Shelf with CMA
115-1526	Sliding Equipment Shelf without CMA
137-1525	Cable Managemetn Arm for Sliding Equipment Shelf
101-0914	Additional Stop Bracket for Sliding Equipment Shelf

What's Included

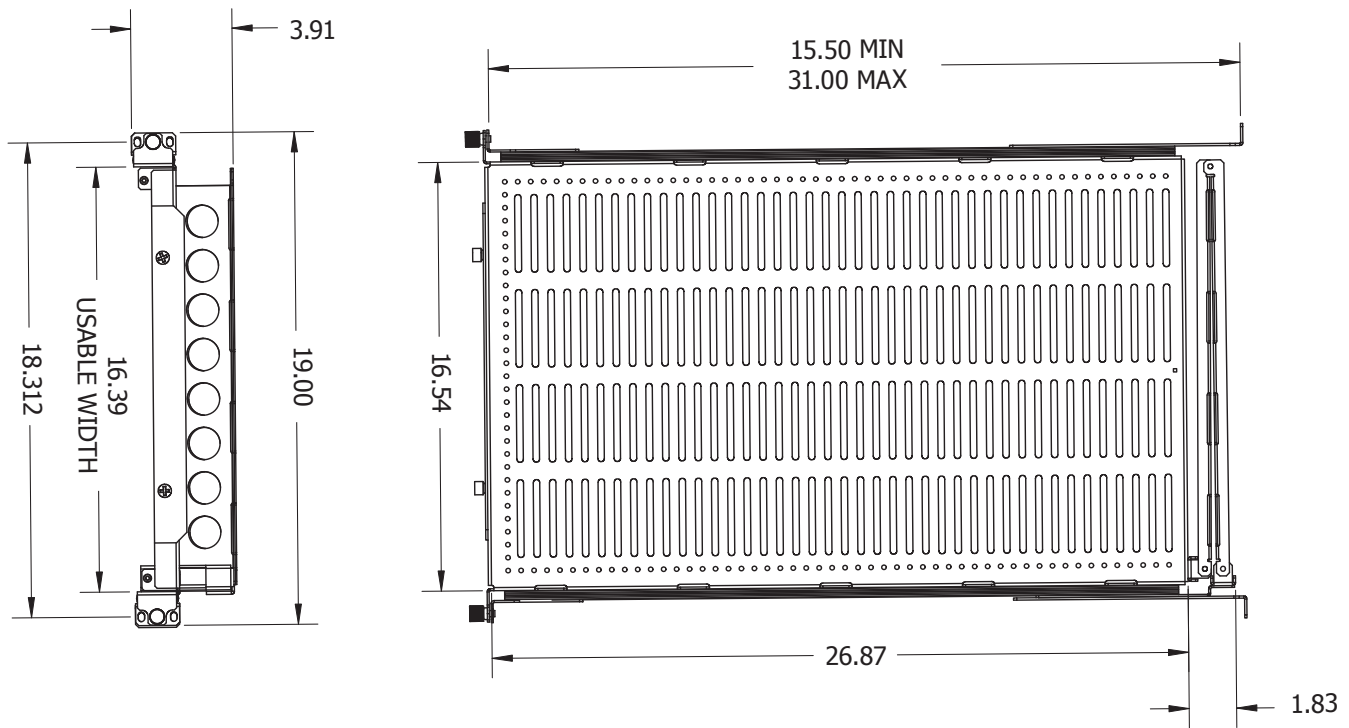
- Screws & Cage nuts
- Anti-Slip mat
- CMA (Cable Management Arm)



www.RackSolutions.com

Toll Free: (888) 903-7225 | Fax: (903) 453-0808 | Email: info@racksolutions.com

Reseller Agreements - Volume Agreements - Cage Code: 60QH5 - DUNS: 961816423 - Most POs accepted
 RackSolutions is a registered trade mark of Rack Solutions, Inc. © Copyright 2014. All Rights Reserved. All other Marks are the property of their respective owners. Patent(s) pending.



* measurements are in inches

Technical Specifications

Weight Capacity

- 95 lbs (20 kgs)

Equipment Size

- Max equipment width: 16.54" (420 mm)
- Maximum equipment depth: 26.8" (681 mm)

Mounting Depth Range

- 1USHL-115: 15.5- 31.5" (393 -800 mm)

Overall Depth

- 1USHL-115: 26.8" (681 mm)

Shelf Surface Area

- 26.87" x 16.54" (682x 420 mm)

Cable Management Arm (CMA)

Articulated, cable management arm extends forward and backward as shelf slides in and out of the rack (included with 1USHL-115)

Need something customized?