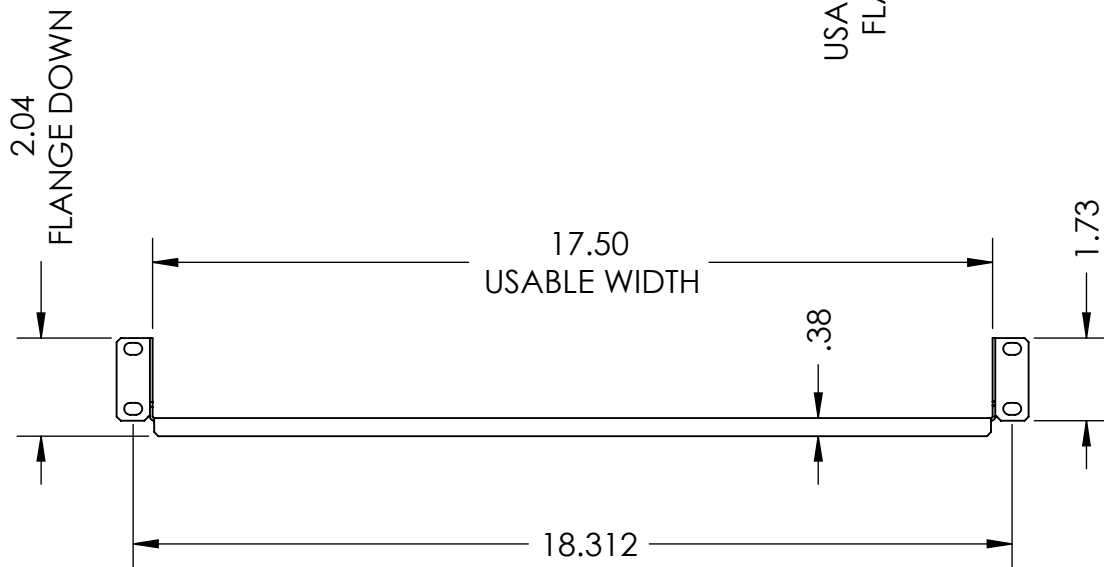
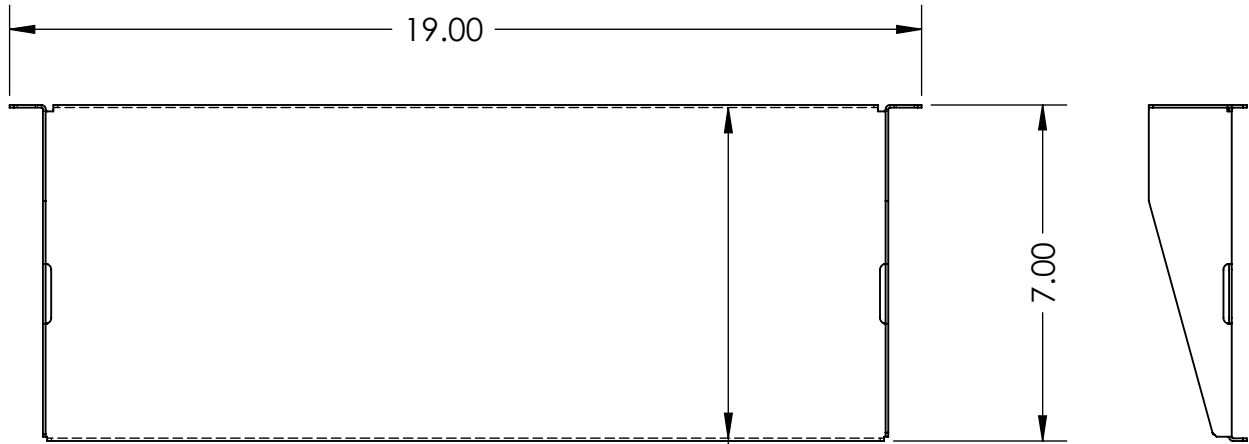


Part Number	Flanges	Surface
1USHL-022HALF-7US	Up	Solid
1USHL-022HALF-7DS	Down	Solid
1USHL-022HALF-7UV	Up	Vented
1USHL-022HALF-7DV	Down	Vented



Printed on 7/11/2018

Sheet 1 of 1

**RackSolutions.com**  
888-903-RACK (7225)

Outline Drawing

Dwg No & Rev

1USHL-022HALF-920

**NOTE: 1USHL-022HALF-7DS (Flange down, solid) shown**

ALL DIMENSIONS ARE IN INCHES.