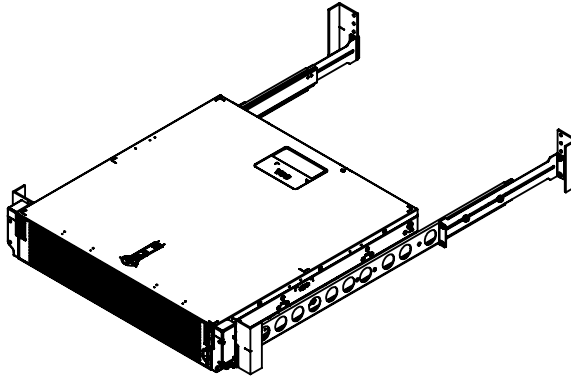
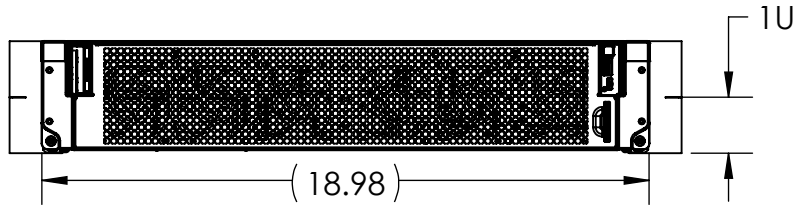


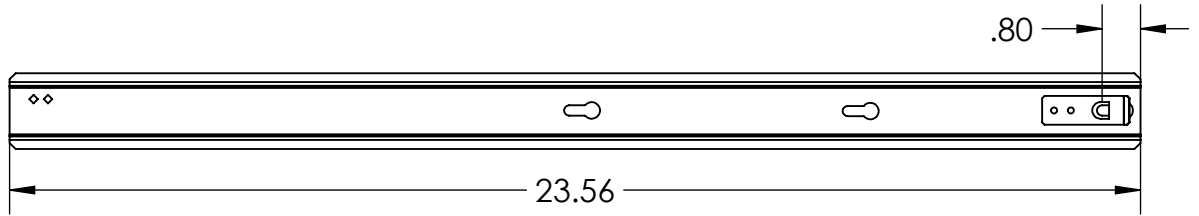
4 Post Mount
Overview



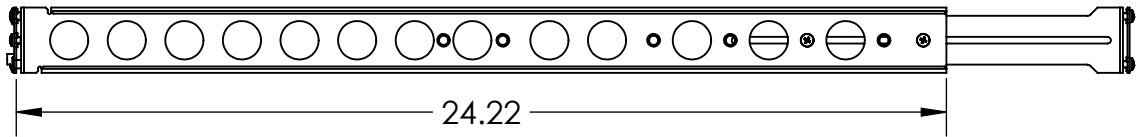
Front View



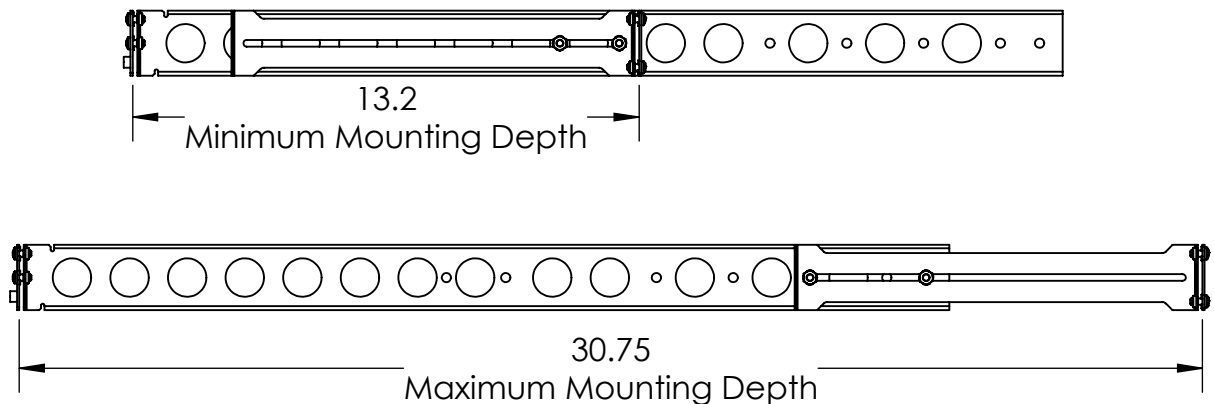
Inner Rail
Overview



Outer Rail
Interior View



Outer Rail
Exterior View



Tolerance ± 0.01

ALL DIMENSIONS ARE IN INCHES.

Printed on 5/2/2023

Sheet 1 of 2

RackSolutions[®]

Outline Drawing
racksolutions.com

Dwg No & Rev
122-8651-920

4 Post Mount Rack Fit Guide

Note:

A **positive** value indicates the answer to the corresponding question is **Yes**.

A **negative** value indicates the answer to the corresponding question is **No**.

<u>Question</u>	<u>Formula</u>
Will the <u>outer rail</u> extend past the <u>rack</u> ?	$24.22 + T - D$
Will the <u>inner rail</u> extend past the <u>rack</u> ?	$22.49 + B - D$
Will the <u>inner rail</u> extend past the <u>server</u> ?	$22.76 + B - L$
Will the <u>server</u> extend past the <u>rack</u> ?	$L - 0.27 - D$
<u>Variables</u>	<p>B = Server Ear to First Button</p> <p>D = Mounting Depth (Distance front to the back of the rack)</p> <p>L = Server Length</p> <p>T = Rack Upright Thickness</p>

