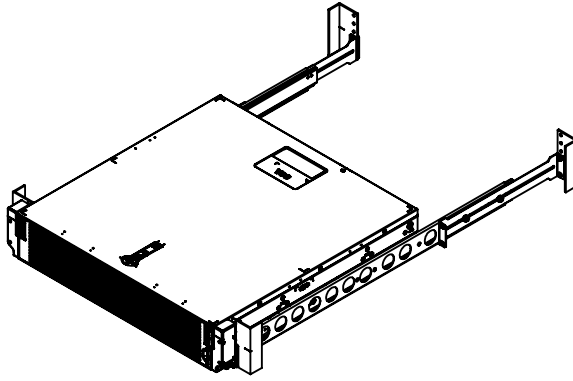
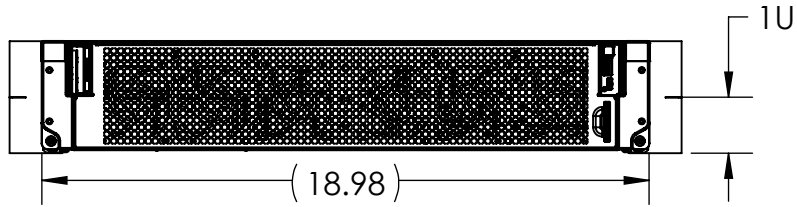


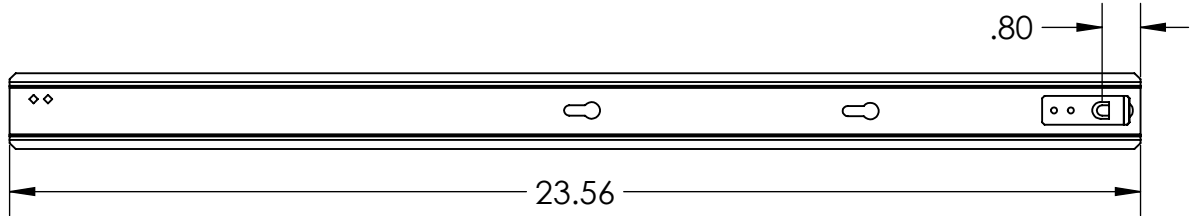
4 Post Mount
Overview



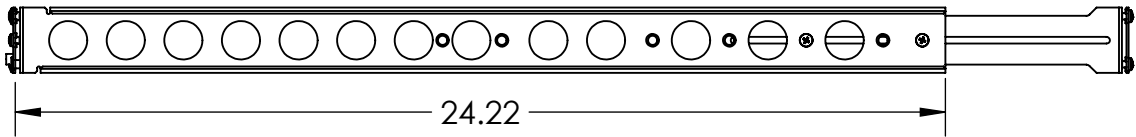
Front View



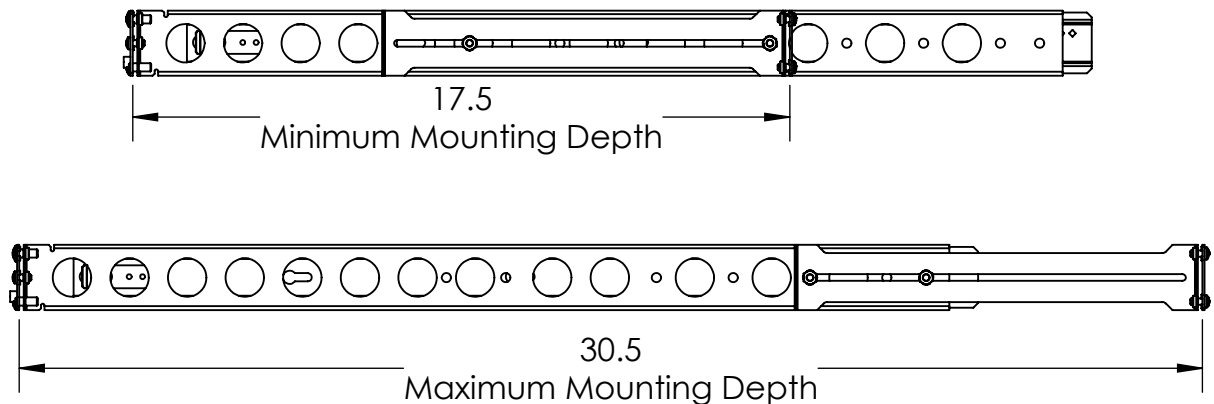
Inner Rail
Overview



Outer Rail
Interior View



Outer Rail
Exterior View



Tolerance ± 0.01

ALL DIMENSIONS ARE IN INCHES.

Printed on 6/23/2022

Sheet 1 of 2

RackSolutions®

Outline Drawing
racksolutions.com

Dwg No & Rev
122-8651-920

4 Post Mount Rack Fit Guide

Note:

A **positive** value indicates the answer to the corresponding question is **Yes**.

A **negative** value indicates the answer to the corresponding question is **No**.

| <u>Question</u> | <u>Formula</u> |
|--|---|
| Will the outer rail extend past the rack ? | $24.22 + T - D$ |
| Will the inner rail extend past the rack ? | $22.49 + B - D$ |
| Will the inner rail extend past the server ? | $22.76 + B - L$ |
| Will the server extend past the rack ? | $L - 0.27 - D$ |
| Variables | B = Server Ear to First Button D = Mounting Depth (Distance front to the back of the rack) L = Server Length T = Rack Upright Thickness |

