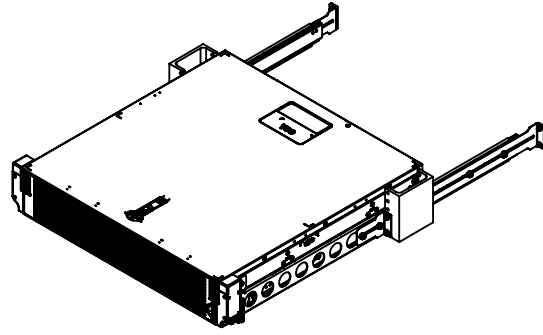
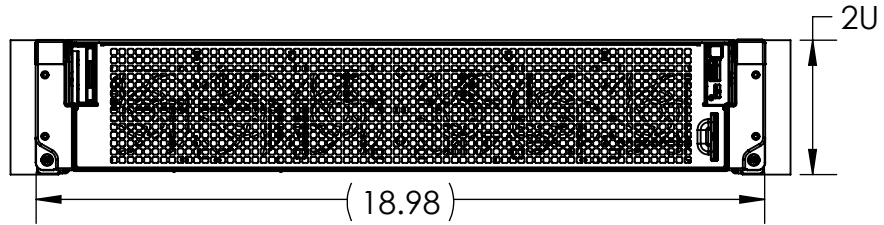


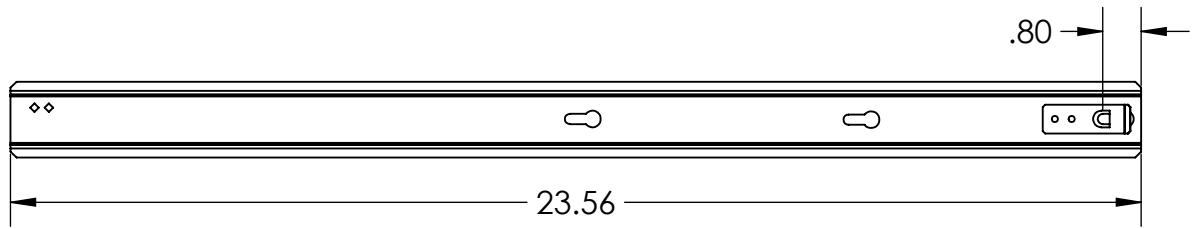
2 Post Center Mount
Overview



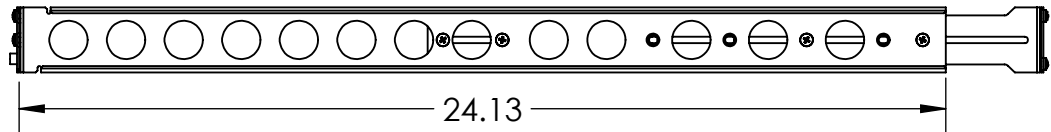
Front View



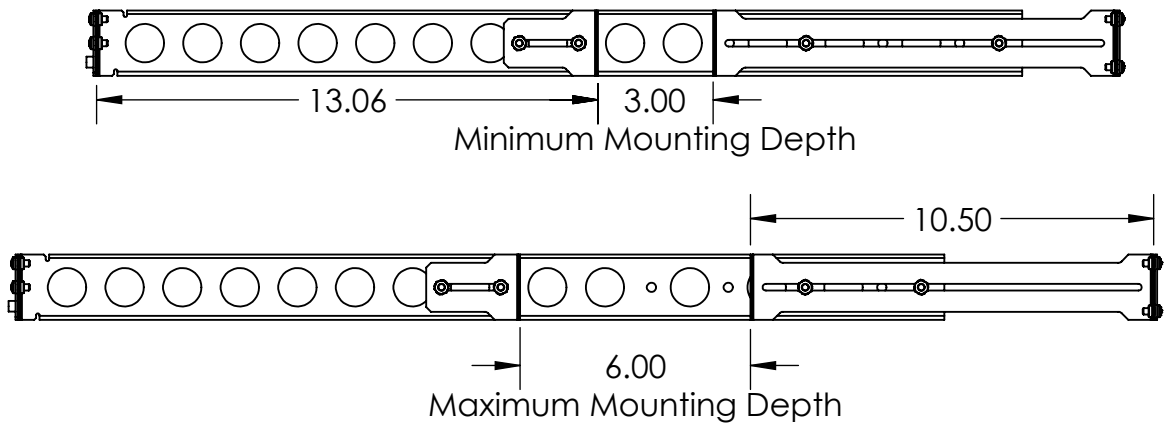
Inner Rail
Overview



Outer Rail
Interior View



Outer Rail
Exterior View



Tolerance ± 0.01

ALL DIMENSIONS ARE IN INCHES.

Printed on 6/24/2022

Sheet 1 of 2

RackSolutions[®]

Outline Drawing
racksolutions.com

Dwg No & Rev
122-8651-921

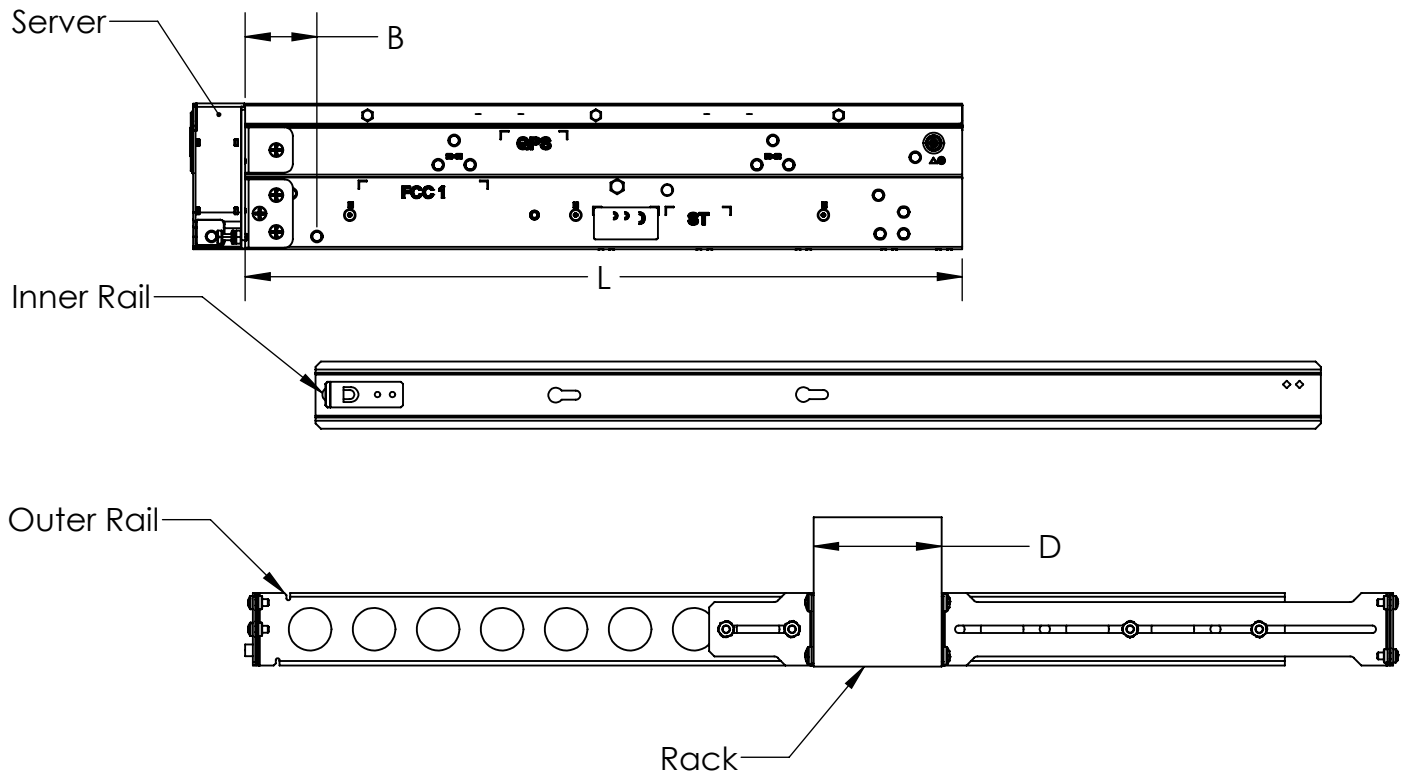
2 Post Center Mount Rack Fit Guide

Note:

A **positive** value indicates the answer to the corresponding question is **Yes**.

A **negative** value indicates the answer to the corresponding question is **No**.

<u>Question</u>	<u>Formula</u>
Will the <u>outer rail</u> extend past the <u>rack</u> ?	$11.16 - D$
Will the <u>inner rail</u> extend past the <u>outer rail</u> ?	$B - 1.76$
Will the <u>inner rail</u> extend past the <u>server</u> ?	$22.76 + B - L$
Will the <u>server</u> extend past the <u>outer rail</u> ?	$L - 24.52$
Will the <u>rear bracket</u> extend past the <u>outer rail</u> ?	$D - 0.66$
<u>Variables</u>	B = Server Ear to First Button D = Rack Mounting Depth L = Server Length



Tolerance ± 0.01

ALL DIMENSIONS ARE IN INCHES.

Printed on 6/24/2022

Sheet 2 of 2

RackSolutions®

Outline Drawing
racksolutions.com

Dwg No & Rev
122-8651-921