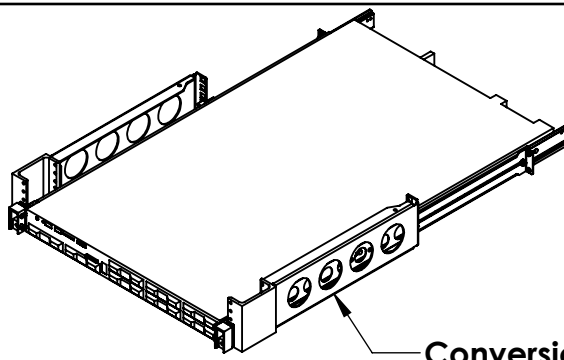


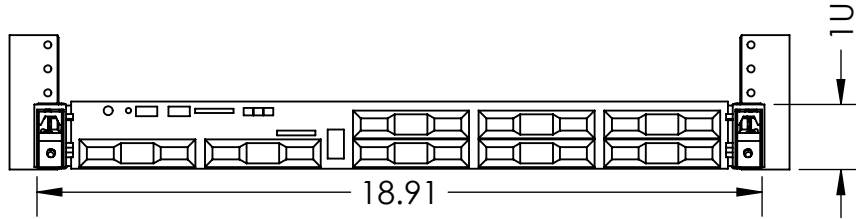
2 Post Flush Mount  
Overview



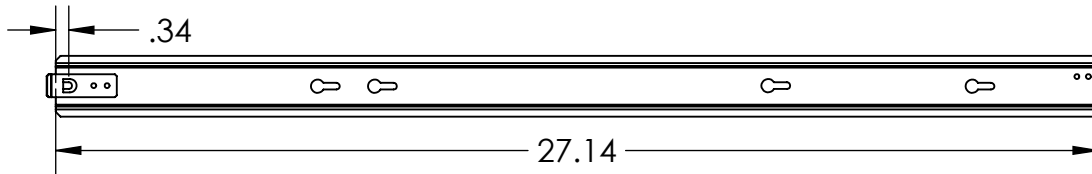
Conversion Bracket

Note: Configuration requires conversion kit, shown with the RackSolutions 2U Conversion Kit. Other conversion kits may be used.

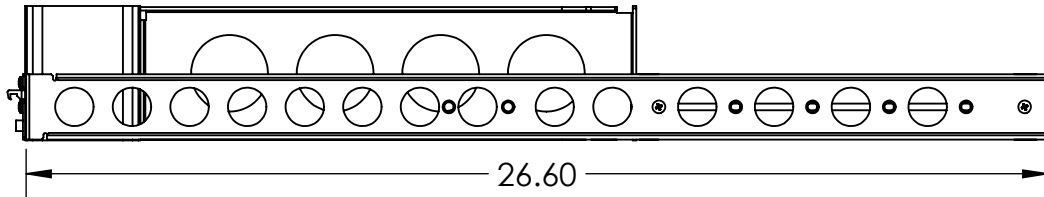
Front View



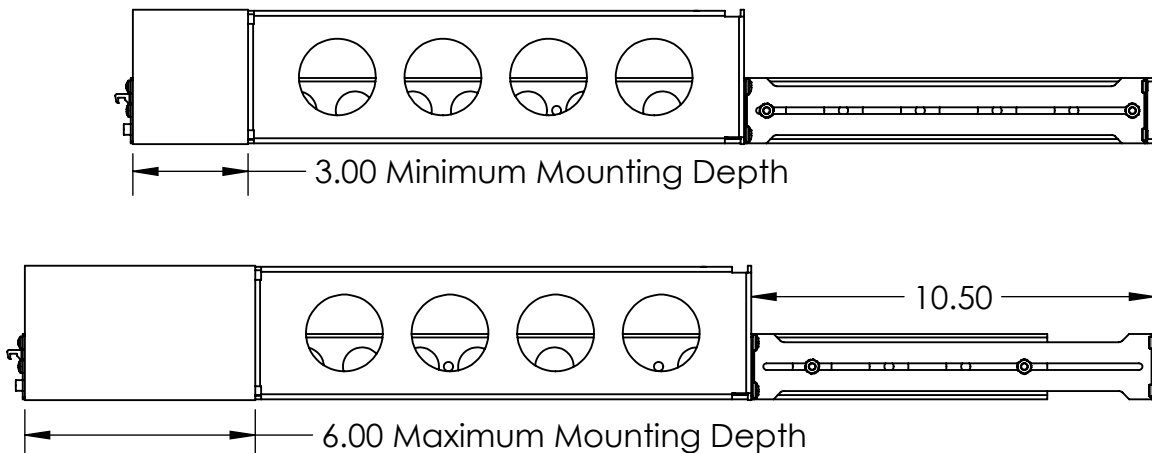
Inner Rail  
Overview



Outer Rail  
Interior View



Outer Rail  
Exterior View



Tolerance ± 0.01

ALL DIMENSIONS ARE IN INCHES.

Printed on 3/11/2022

Sheet 1 of 2

**RackSolutions®**

Outline Drawing  
racksolutions.com

Dwg No & Rev  
122-7390-922

## 2 Post Flush Mount Rack Fit Guide

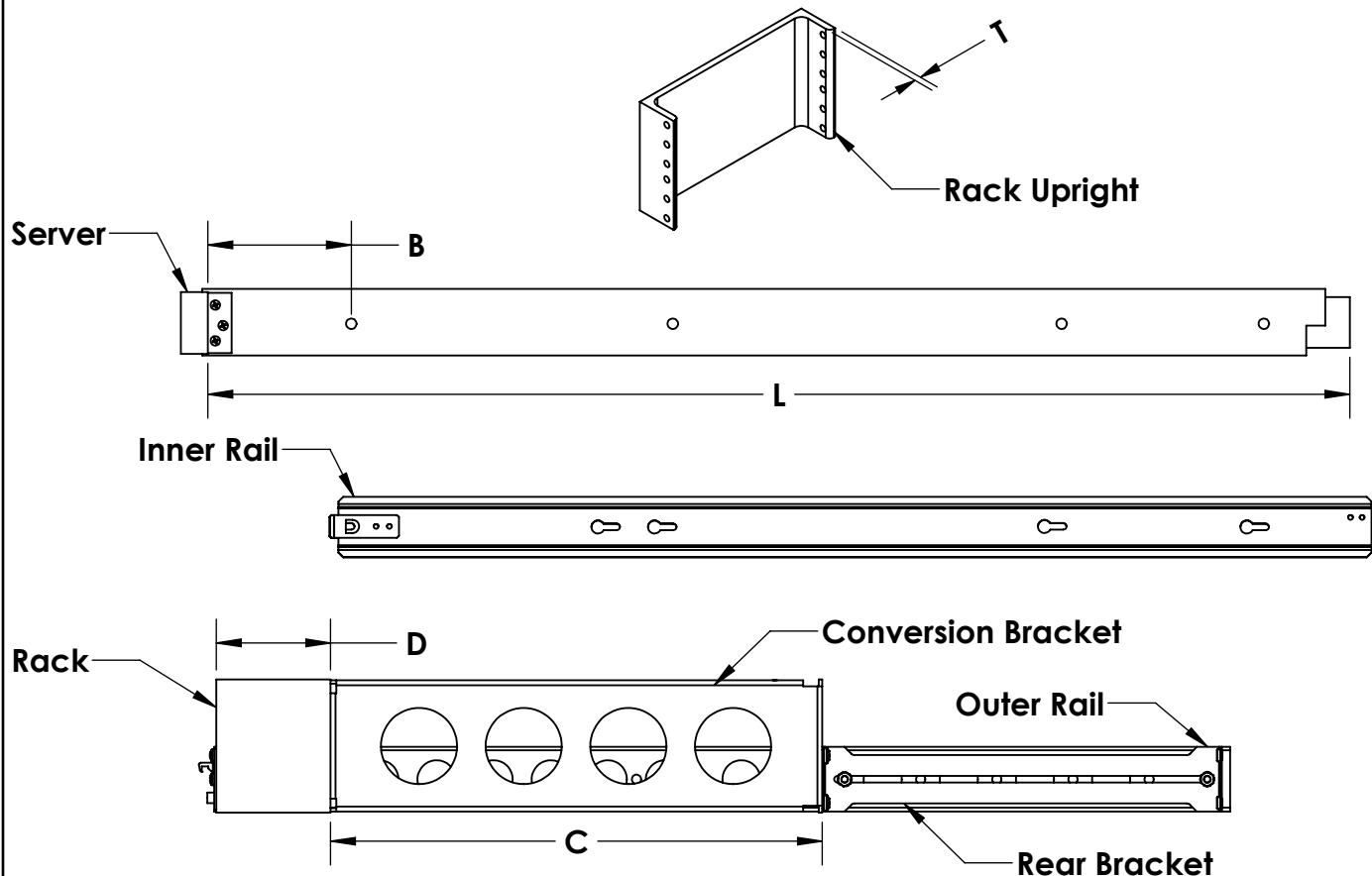
Note: Configuration requires conversion kit, shown with the RackSolutions 2U Conversion Kit.  
Other conversion kits may be used.

**Note:**

A **positive** value indicates the answer to the corresponding question is **Yes**.

A **negative** value indicates the answer to the corresponding question is **No**.

<u>Question</u>	<u>Formula</u>
Will the <u>outer rail</u> extend past the <u>rack &amp; conversion kit</u> ?	$26.60 + T - D - C$
Will the <u>inner rail</u> extend past the <u>rack &amp; conversion kit</u> ?	$26.54 + B - D - C$
Will the <u>inner rail</u> extend past the <u>server</u> ?	$26.80 + B - L$
Will the <u>server</u> extend past the <u>rack &amp; conversion kit</u> ?	$L - D - C - 0.27$
Will the <u>rear bracket</u> extend past the <u>outer rail</u> ?	$D + C - T - 16.10$
<u>Variables</u>	<b>B</b> = Server Ear to First Button <b>C</b> = Conversion Bracket Length <b>D</b> = Rack Mounting Depth <b>L</b> = Server Length <b>T</b> = Rack Upright Thickness



Tolerance ± 0.01

ALL DIMENSIONS ARE IN INCHES.

Printed on 3/11/2022

Sheet 2 of 2

**RackSolutions®**

Outline Drawing  
racksolutions.com

Dwg No & Rev  
**122-7390-922**