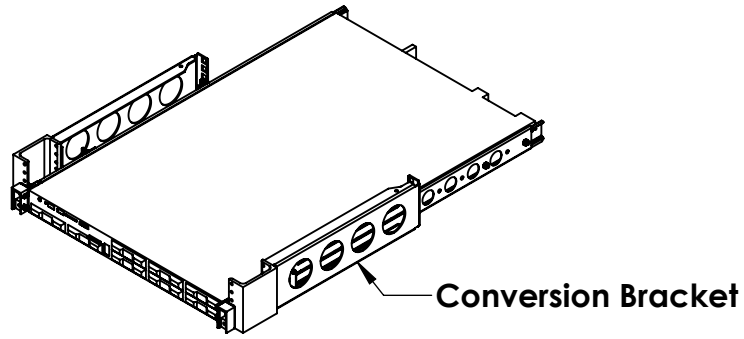
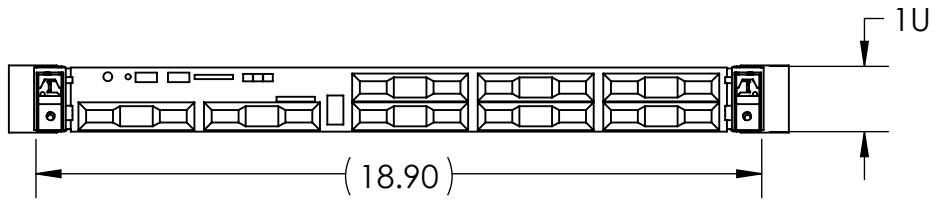


2 Post Flush Mount
Overview

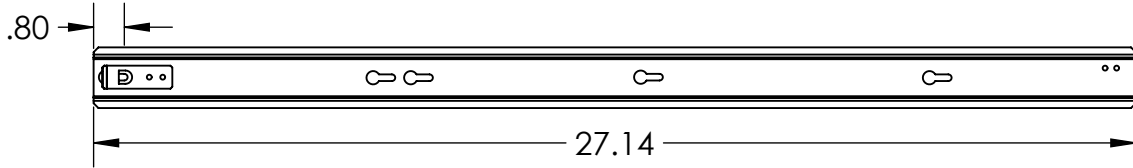


Note: Configuration requires conversion kit. Shown with the RackSolutions 2U Conversion Kit. Other conversion kits may be used.

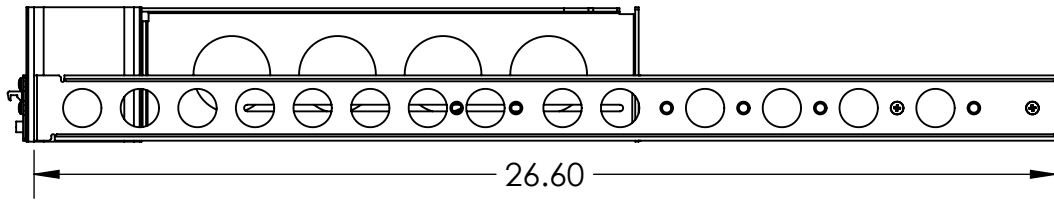
Front View



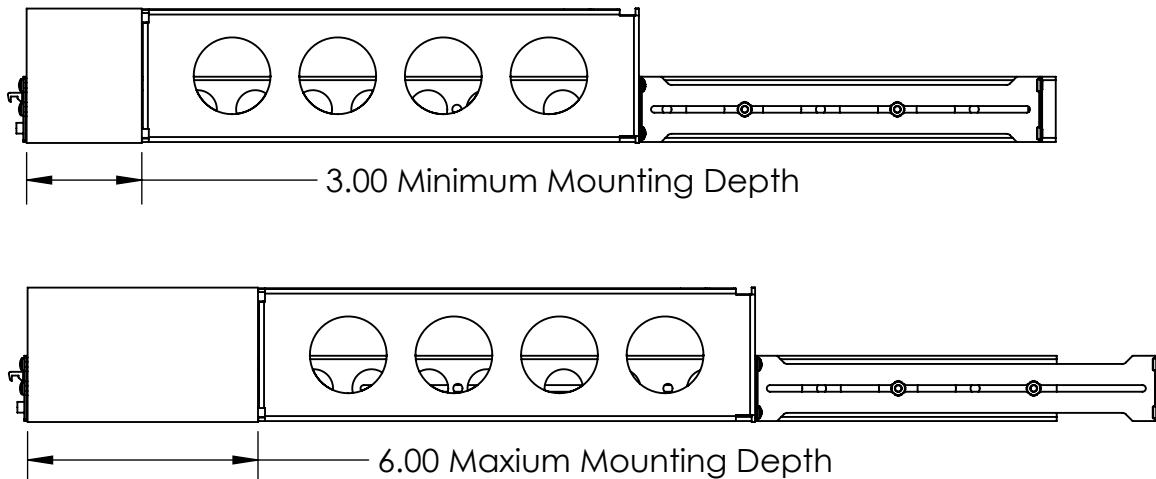
Inner Rail
Overview



Outer Rail
Interior View



Outer Rail
Exterior View



Tolerance ± 0.01

ALL DIMENSIONS ARE IN INCHES.

Printed on 9/16/2021

Sheet 1 of 2

RackSolutions[®]

Outline Drawing
racksolutions.com

Dwg No & Rev
122-2579-922

2 Post Flush Mount Overview

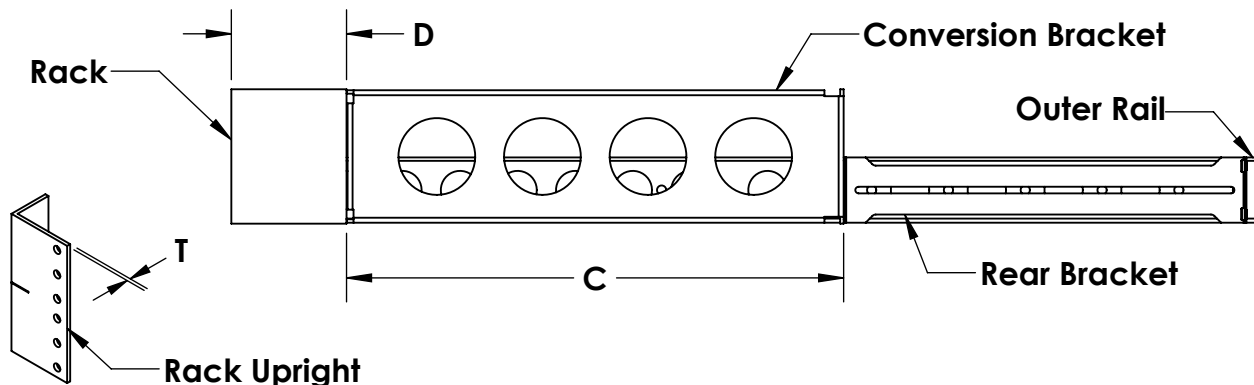
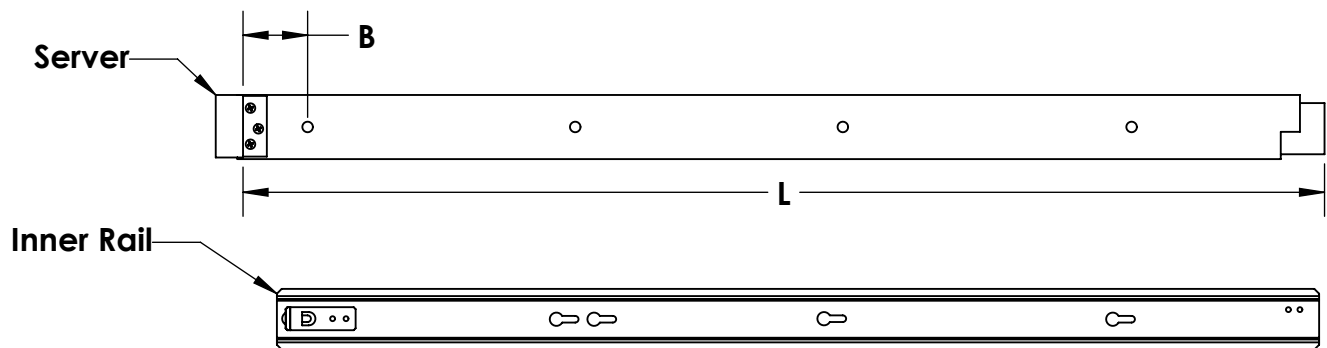
Note: Configuration requires conversion kit. Shown with the RackSolutions 2U Conversion Kit.
Other conversion kits may be used.

Note:

A **positive** value indicates the answer to the corresponding question is **Yes**.

A **negative** value indicates the answer to the corresponding question is **No**.

<u>Question</u>	<u>Formula</u>
Will the <u>outer rail</u> extend past the <u>rack & conversion kit</u> ?	$26.60 + T - D - C$
Will the <u>inner rail</u> extend past the <u>rack & conversion kit</u> ?	$26.06 + B - D - C$
Will the <u>inner rail</u> extend past the <u>server</u> ?	$26.34 + B - L$
Will the <u>server</u> extend past the <u>rack & conversion kit</u> ?	$L - 0.28 - D - C$
Will the <u>rear bracket</u> extend past the <u>outer rail</u> ?	$D + C - 16.10 - T$
<u>Variables</u>	B = Server Ear to First Button C = Conversion Bracket Length D = Mounting Depth (Post Width) L = Server Length T = Rack Upright Thickness



Tolerance ± 0.01

ALL DIMENSIONS ARE IN INCHES.

Printed on 9/16/2021

Sheet 2 of 2

RackSolutions®

Outline Drawing
racksolutions.com

Dwg No & Rev

122-2579-922