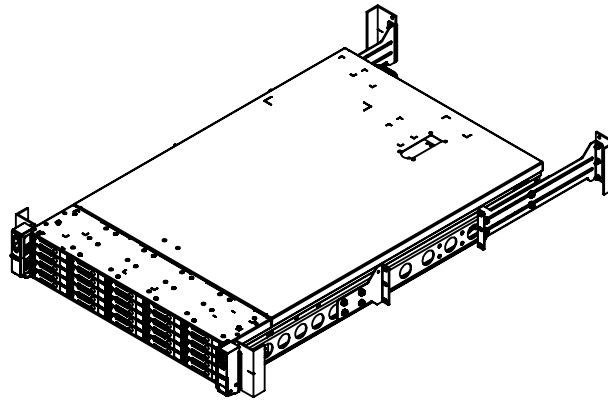
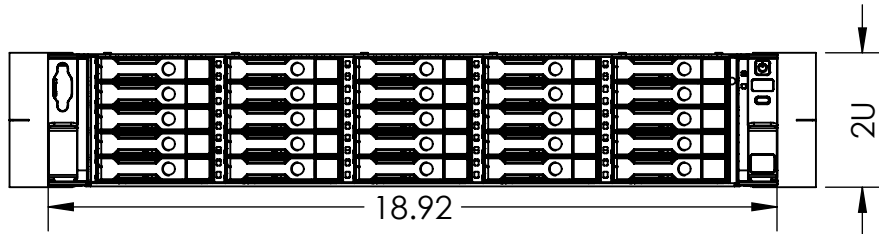


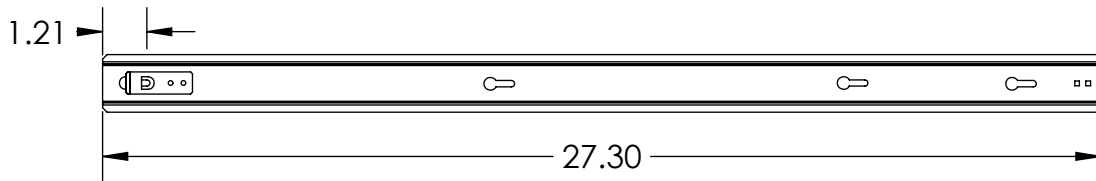
4 Post Mount  
Overview



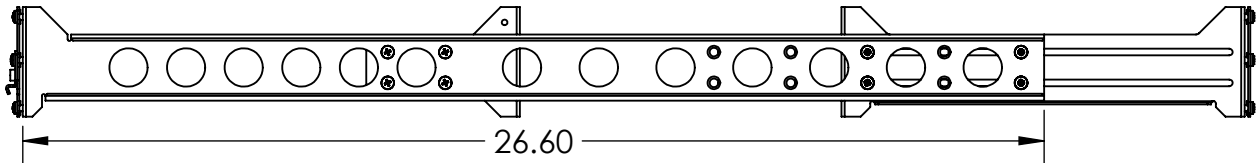
Front View



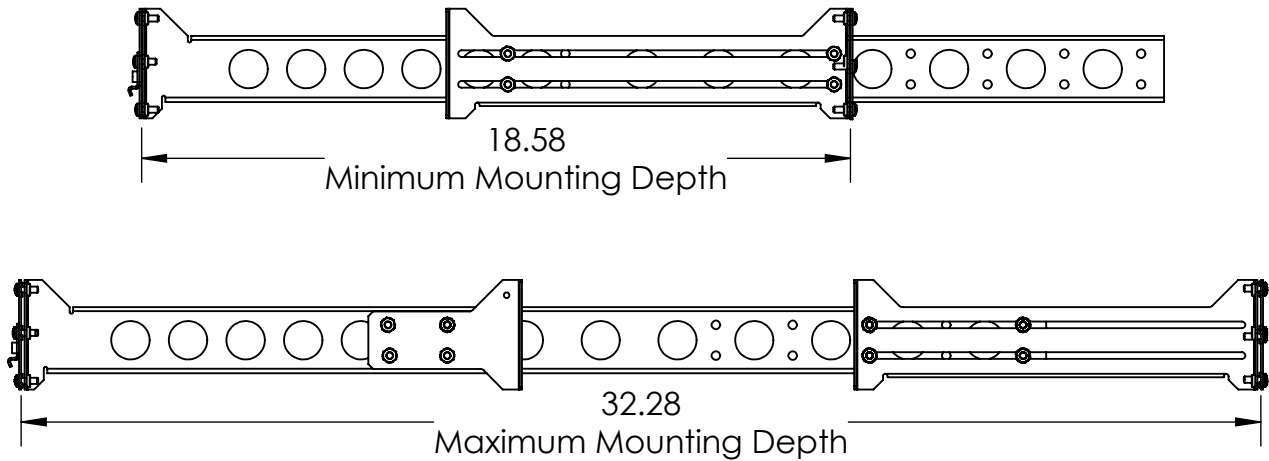
Inner Rail  
Overview



Outer Rail  
Interior View



Outer Rail  
Exterior View



Tolerance  $\pm 0.01$

ALL DIMENSIONS ARE IN INCHES.

Printed on 3/18/2022

Sheet 1 of 2

**RackSolutions**<sup>®</sup>

Outline Drawing  
racksolutions.com

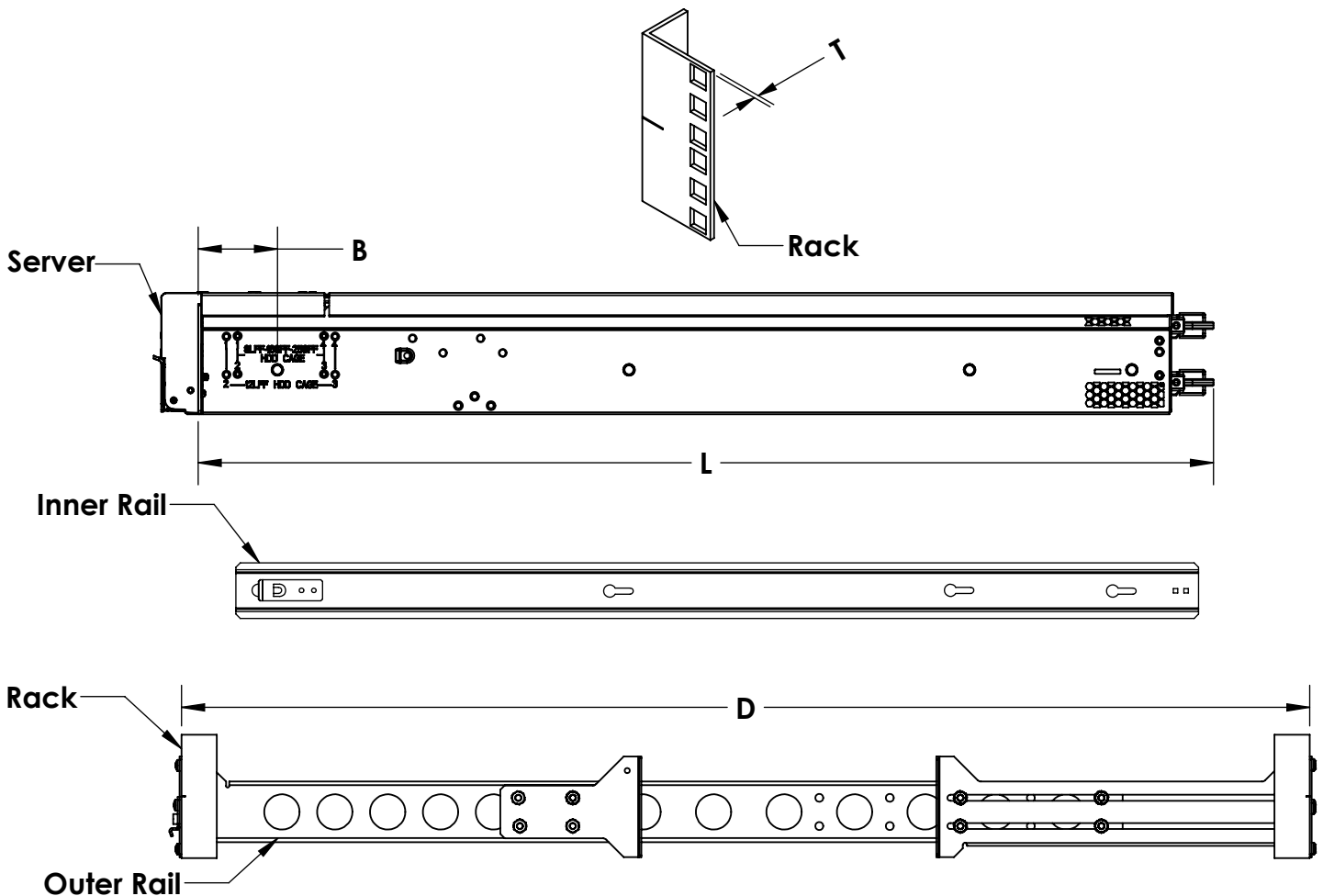
Dwg No & Rev  
122-2447-920

## 4 Post Mount Rack Fit Guide

**Note:**

A **positive** value indicates the answer to the corresponding question is **Yes**.  
 A **negative** value indicates the answer to the corresponding question is **No**.

Question	Formula
Will the <u>outer rail</u> extend past the <u>rack</u> ?	$26.60 + T - D$
Will the <u>inner rail</u> extend past the <u>rack</u> ?	$25.85 + B - D$
Will the <u>inner rail</u> extend past the <u>server</u> ?	$26.09 + B - L$
Will the <u>server</u> extend past the <u>rack</u> ?	$L - D - 0.24$
<b>Variables</b>	<b>B</b> = Server Ear to First Button <b>D</b> = Rack Mounting Depth <b>L</b> = Server Length <b>T</b> = Rack Upright Thickness



Tolerance  $\pm 0.01$

ALL DIMENSIONS ARE IN INCHES.

Printed on 3/18/2022

Sheet 2 of 2

**RackSolutions®**

Outline Drawing  
racksolutions.com

Dwg No & Rev  
**122-2447-920**