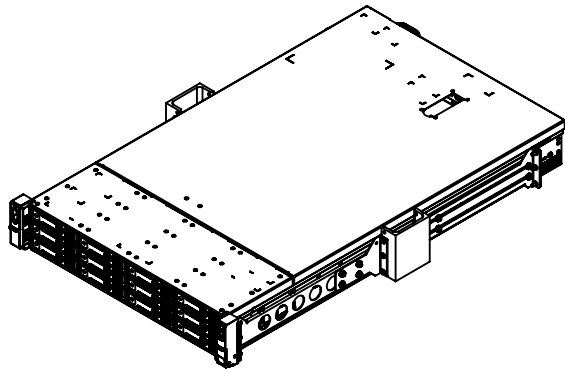
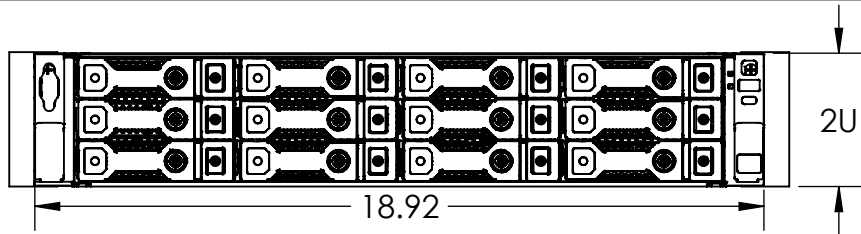


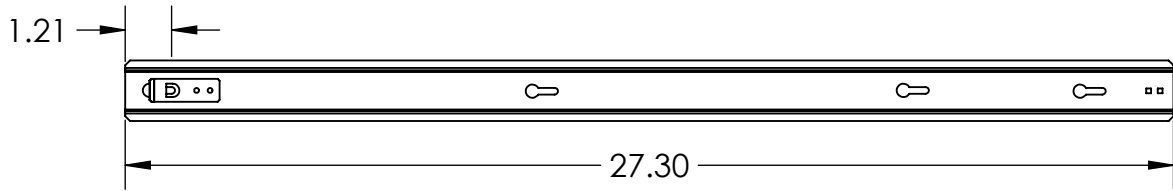
2 Post Center Mount  
Overview



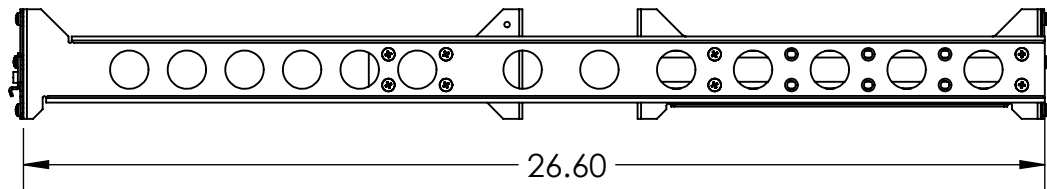
Front View



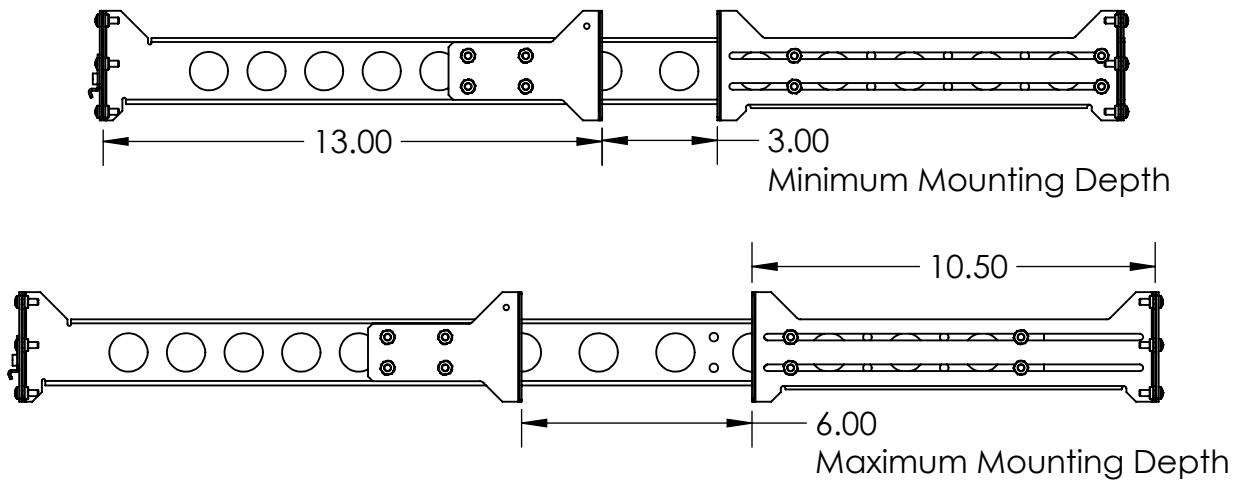
Inner Rail  
Overview



Outer Rail  
Interior View



Outer Rail  
Exterior View



Tolerance  $\pm 0.01$

ALL DIMENSIONS ARE IN INCHES.

Printed on 3/4/2022

Sheet 1 of 2

**RackSolutions**<sup>®</sup>

Outline Drawing  
racksolutions.com

Dwg No & Rev  
122-2447-921

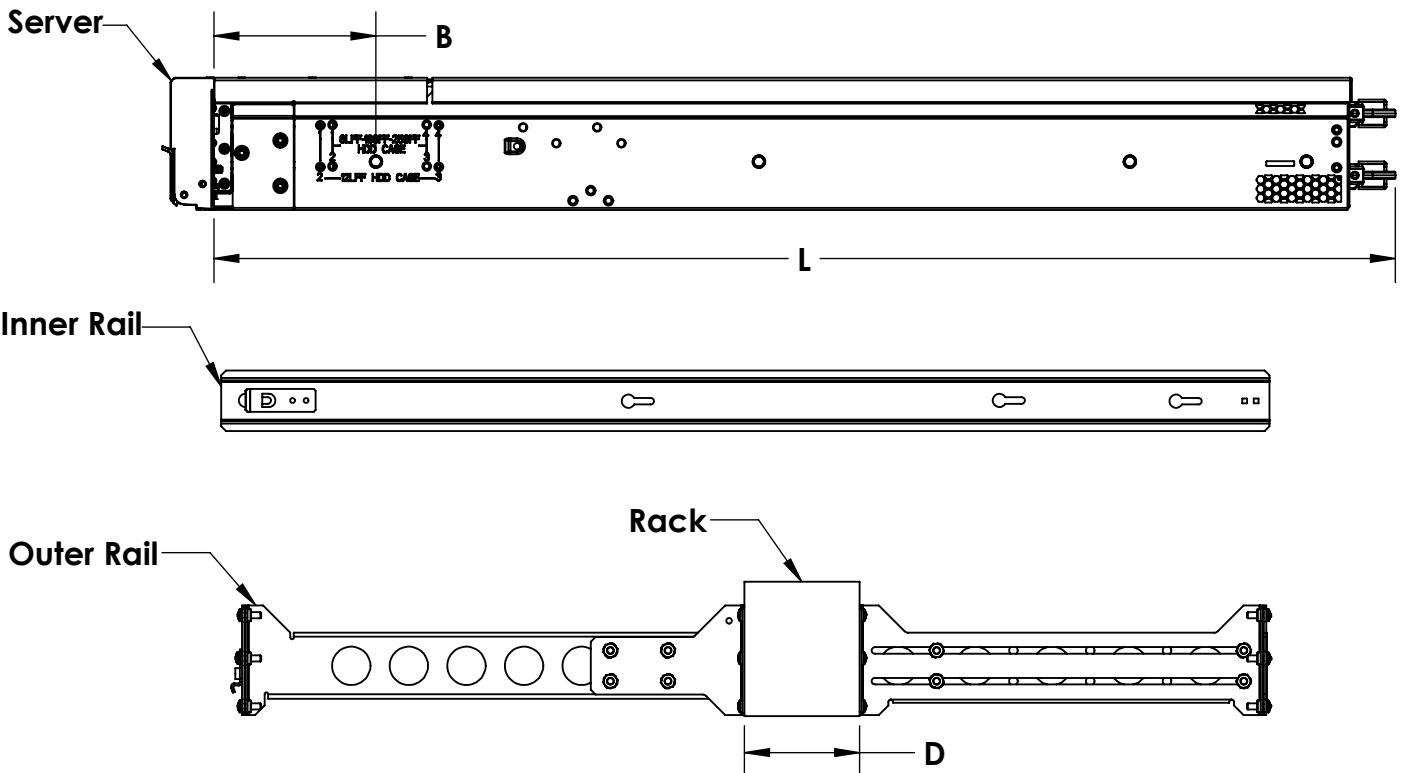
## 2 Post Center Mount Rack Fit Guide

**Note:**

A **positive** value indicates the answer to the corresponding question is **Yes**.

A **negative** value indicates the answer to the corresponding question is **No**.

<u>Question</u>	<u>Formula</u>
Will the <u>outer rail</u> extend past the <u>rack</u> ?	$13.60 - D$
Will the <u>inner rail</u> extend past the <u>outer rail</u> ?	$B - 0.78$
Will the <u>inner rail</u> extend past the <u>server</u> ?	$26.09 + B - L$
Will the <u>server</u> extend past the <u>outer rail</u> ?	$L - 26.87$
Will the <u>rear bracket</u> extend past the <u>outer rail</u> ?	$D - 3.10$
<u>Variables</u>	<b>B</b> = Server Ear to First Button <b>D</b> = Rack Mounting Depth <b>L</b> = Server Length



Tolerance  $\pm 0.01$

ALL DIMENSIONS ARE IN INCHES.

Printed on 3/4/2022

Sheet 2 of 2

**RackSolutions®**

Outline Drawing  
racksolutions.com

Dwg No & Rev

122-2447-921