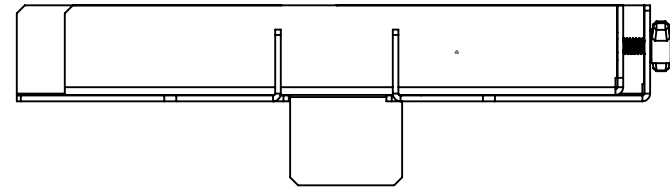
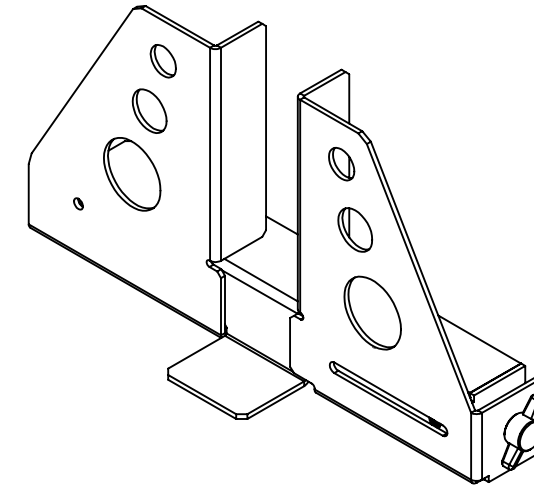


118-1619 Universal Adjustable Rack To Tower Stand

Top View

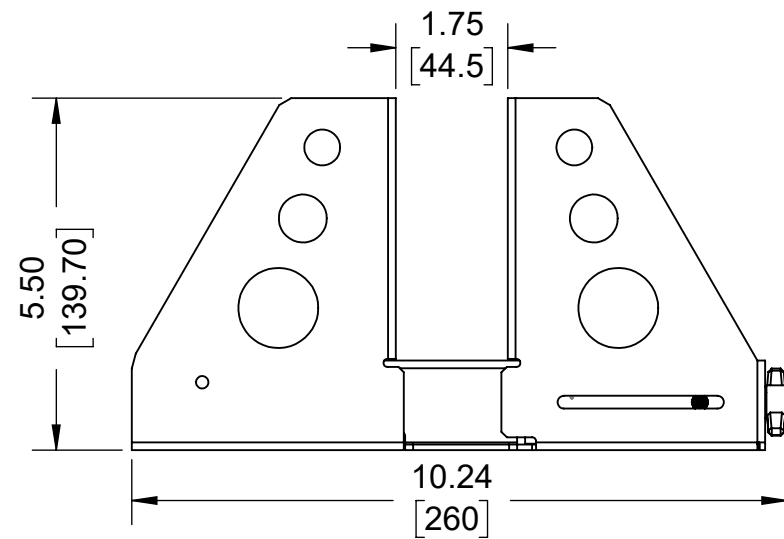


Overview

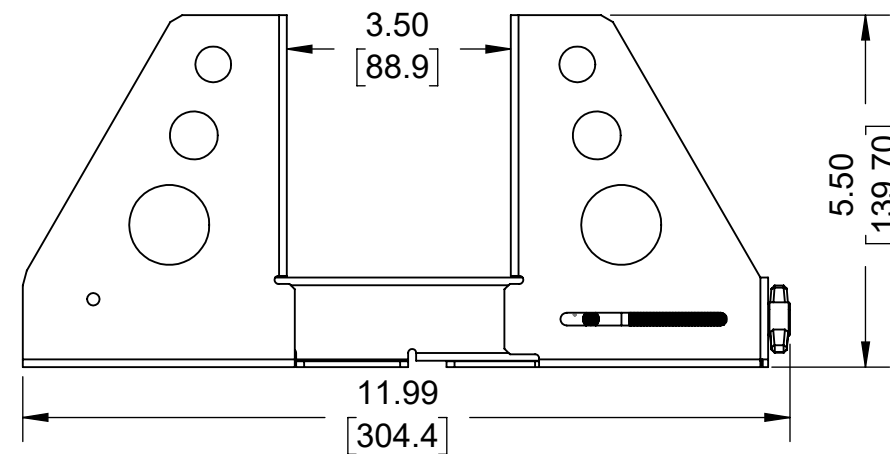


Front Views

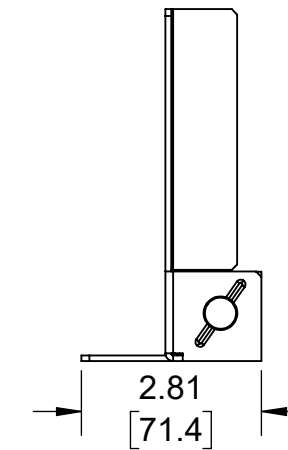
1U Configuration



2U Configuration



Right View



Note: Adjustment Range is 1.50 to 3.75 inches

Printed on 1/8/2024

Sheet 1 of 1

RackSolutions

OUTLINE DRAWING

ALL DIMENSIONS ARE IN INCHES.
DIMENSIONS IN SQUARE BRACKETS ARE IN
[MILLIMETERS] AND FOR REFERENCE ONLY.
PROPRIETARY AND CONFIDENTIAL

Dwg No & Rev

118-1619 Outline