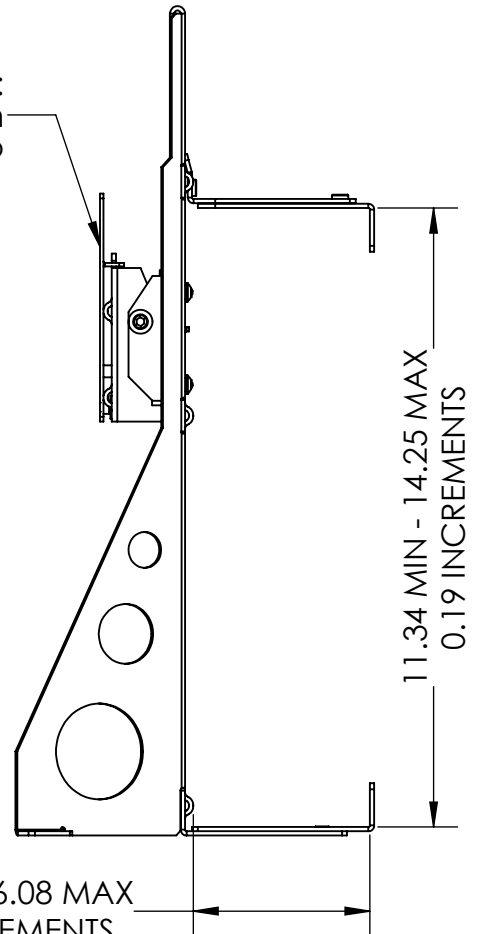


Max tilt:  
5° down  
22° up

9.7 MIN - 13.55 MAX  
CENTER OF VESA MOUNT

3.68 MIN - 6.08 MAX  
0.20 INCREMENTS



Printed on 3/6/2020

Sheet 1 of 1

**RackSolutions.com**  
888-903-RACK (7225)

Outline Drawing

Dwg No & Rev

114-6013-920

ALL DIMENSIONS ARE IN INCHES.