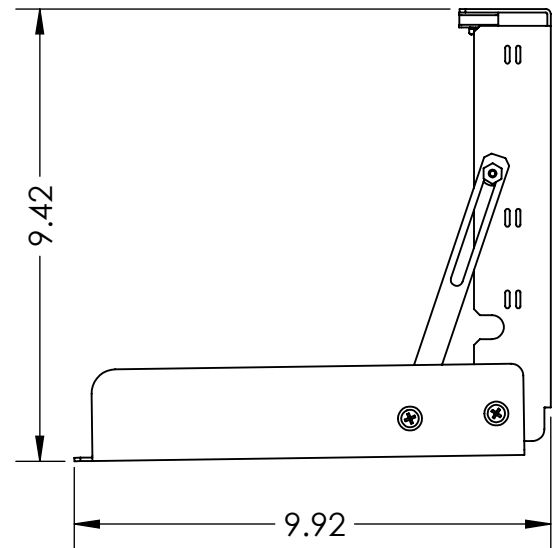
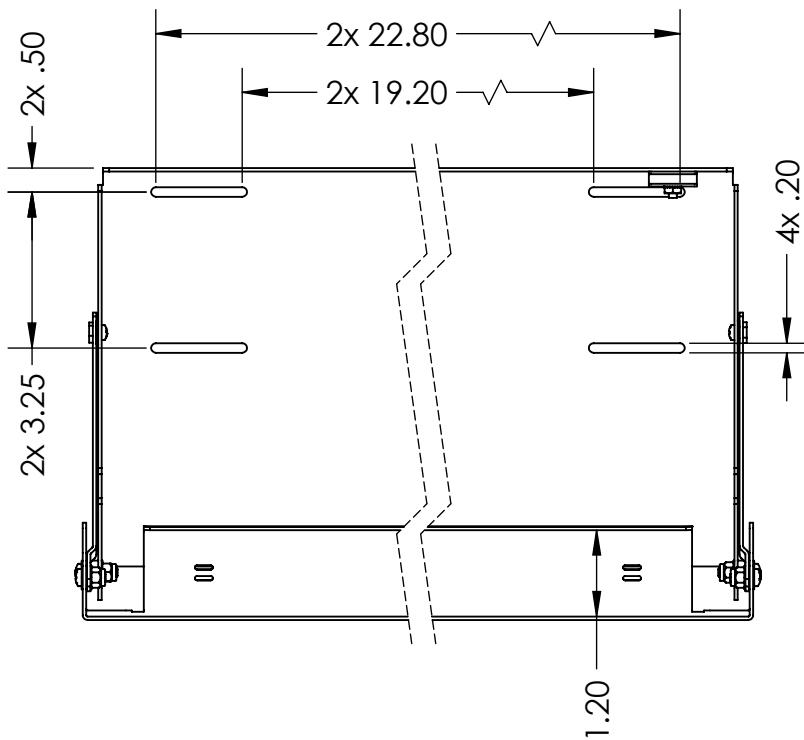


**CLOSED**



**OPEN**

Printed on 5/4/2016

Sheet 1 of 1

**RackSolutions.com**  
888-903-RACK (7225)

Outline Drawing

Dwg No & Rev

104-2795-920

ALL DIMENSIONS ARE IN INCHES.