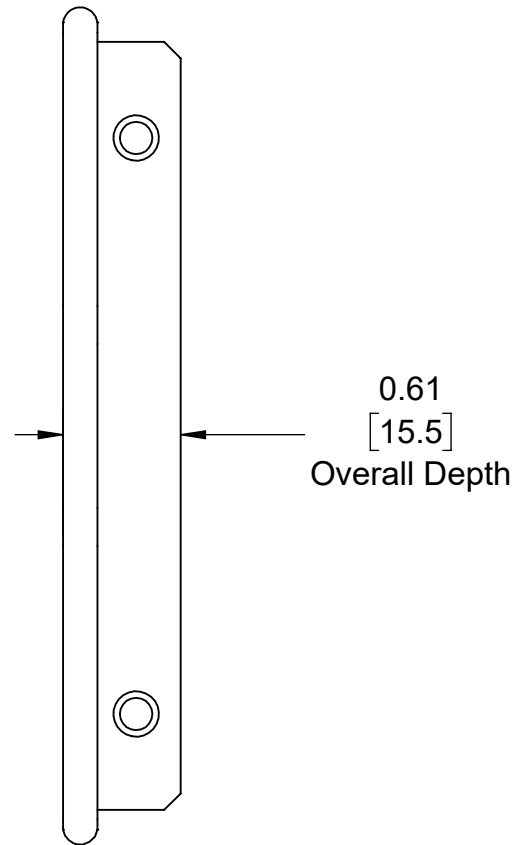
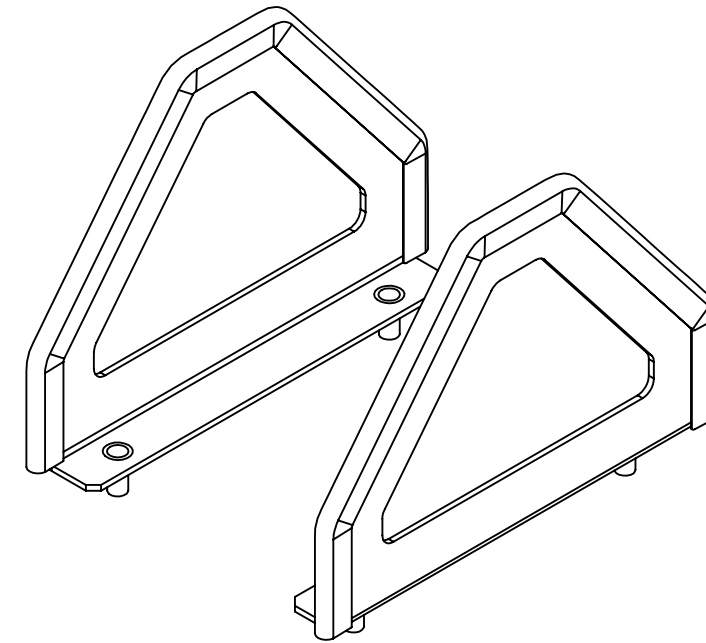


101-7603 (Universal Grommet Bracket 3in (H) 2-Pack for Modular Shelf)

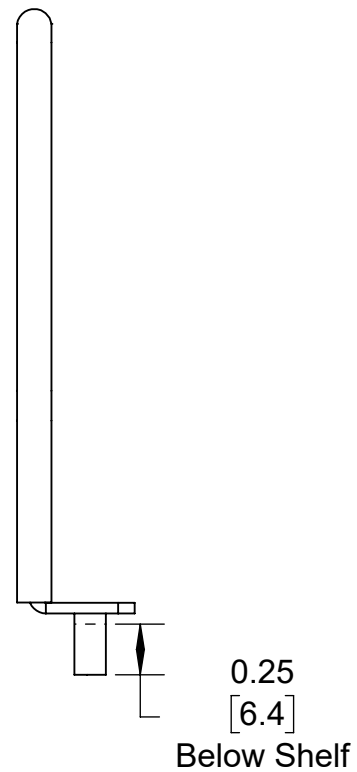
Top View



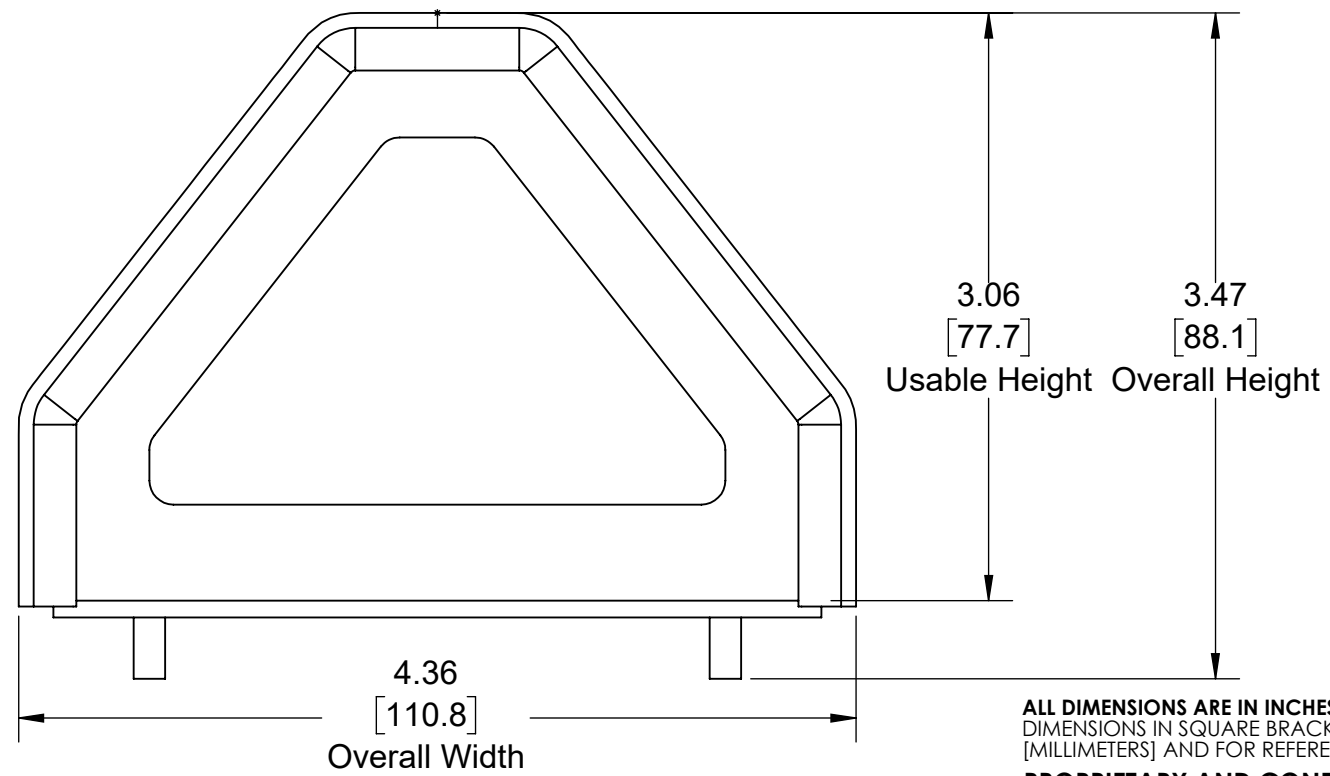
Overview



Side View



Front View



ALL DIMENSIONS ARE IN INCHES.
DIMENSIONS IN SQUARE BRACKETS ARE IN
[MILLIMETERS] AND FOR REFERENCE ONLY.
PROPRIETARY AND CONFIDENTIAL

Printed on 3/12/2024 Sheet 1 of 1

RackSolutions

OUTLINE DRAWING

Dwg No & Rev

101-7603 Outline