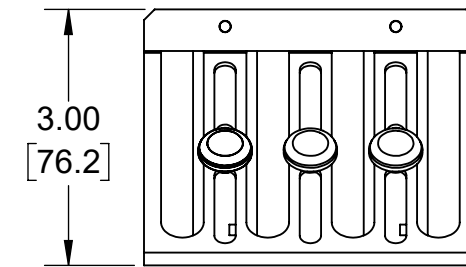
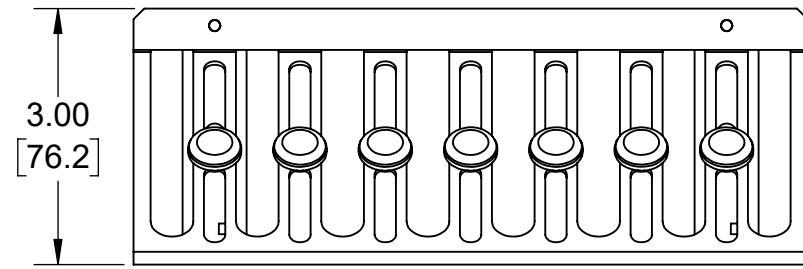


# Mobile Device Brackets for Modular Rack Shelf

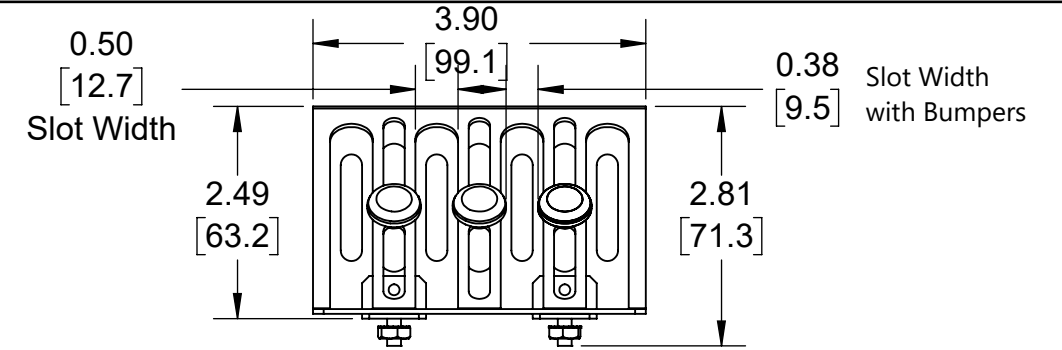
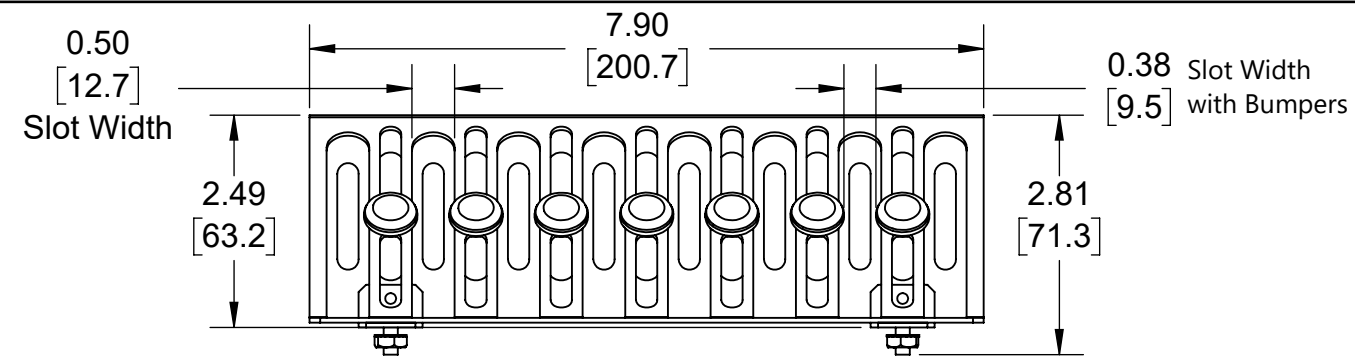
**101-6950 (8-Unit V1 Phone/Tablet Bracket Set 2-Pack for Modular Shelf)**

**101-6951 (4-Unit Phone/Tablet Bracket Set 2-Pack for Modular Shelf)**

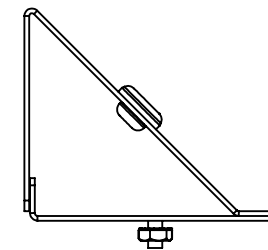
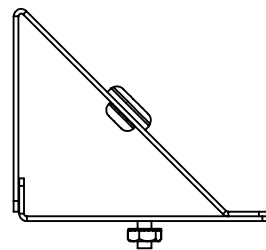
**Top View**



**Front View**



**Side View**



**Overview**

