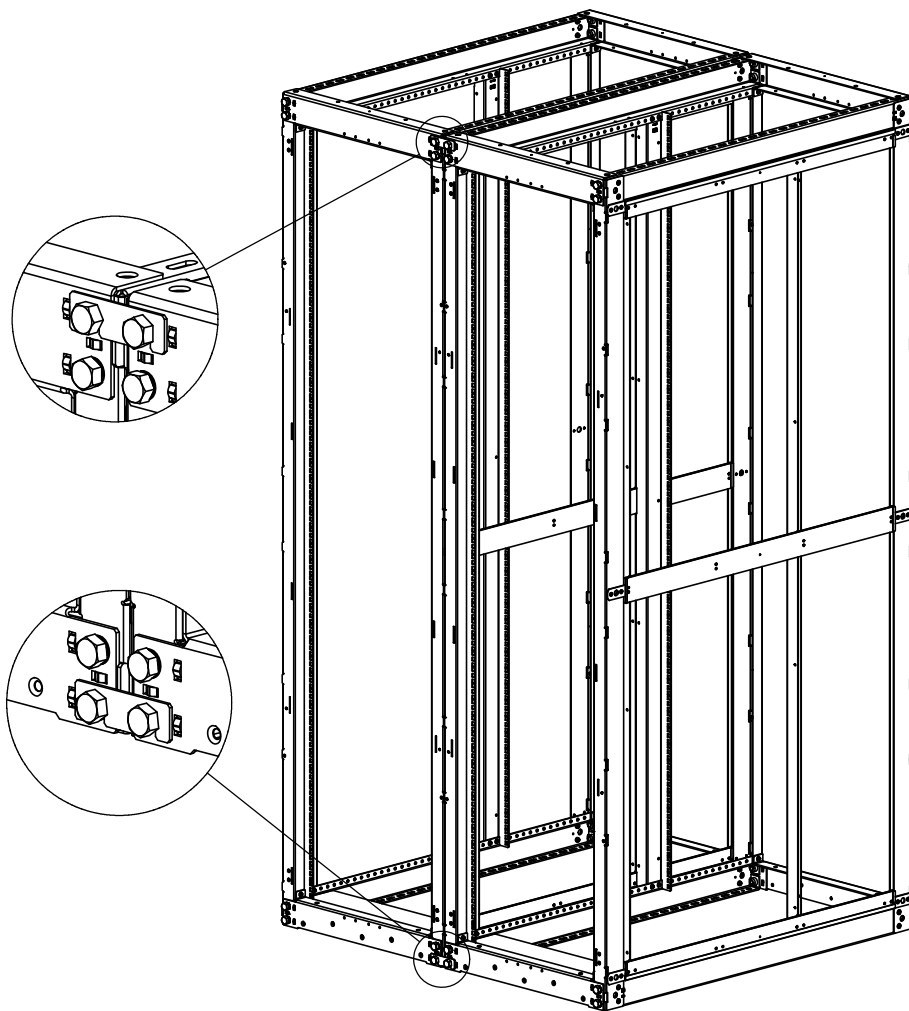


U Height	Width	Depth	Description	P/N
	Any		Baying Kit	101-2511



All images, impressions, drawings, e-drawings, renderings, schematics and other materials transmitted from or otherwise provided by RackSolutions, together with any intellectual property therein or thereto, shall remain the sole property of Rack Solutions, Inc., and are protected under applicable domestic and/or international patent, design patent, copyright, trademark, trade dress or other proprietary rights laws. The recipient (intended or otherwise) of this information shall not, directly or indirectly, make, use, sell, reverse engineer, create derivative works based on, or otherwise utilize this design except for the purposes of evaluating the designs' utility as a solution for the customer's needs.

Baying Kit Notes

1. 4 Brackets included per kit
2. 3/4" bolt must be loosened for installation

Printed on 4/9/2012

Sheet 11 of 12

RackSolutions.com
888-903-RACK (7225)

Baying Kit

Dwg No & Rev

_151-2201-DataSheet

ALL DIMENSIONS ARE IN INCHES.