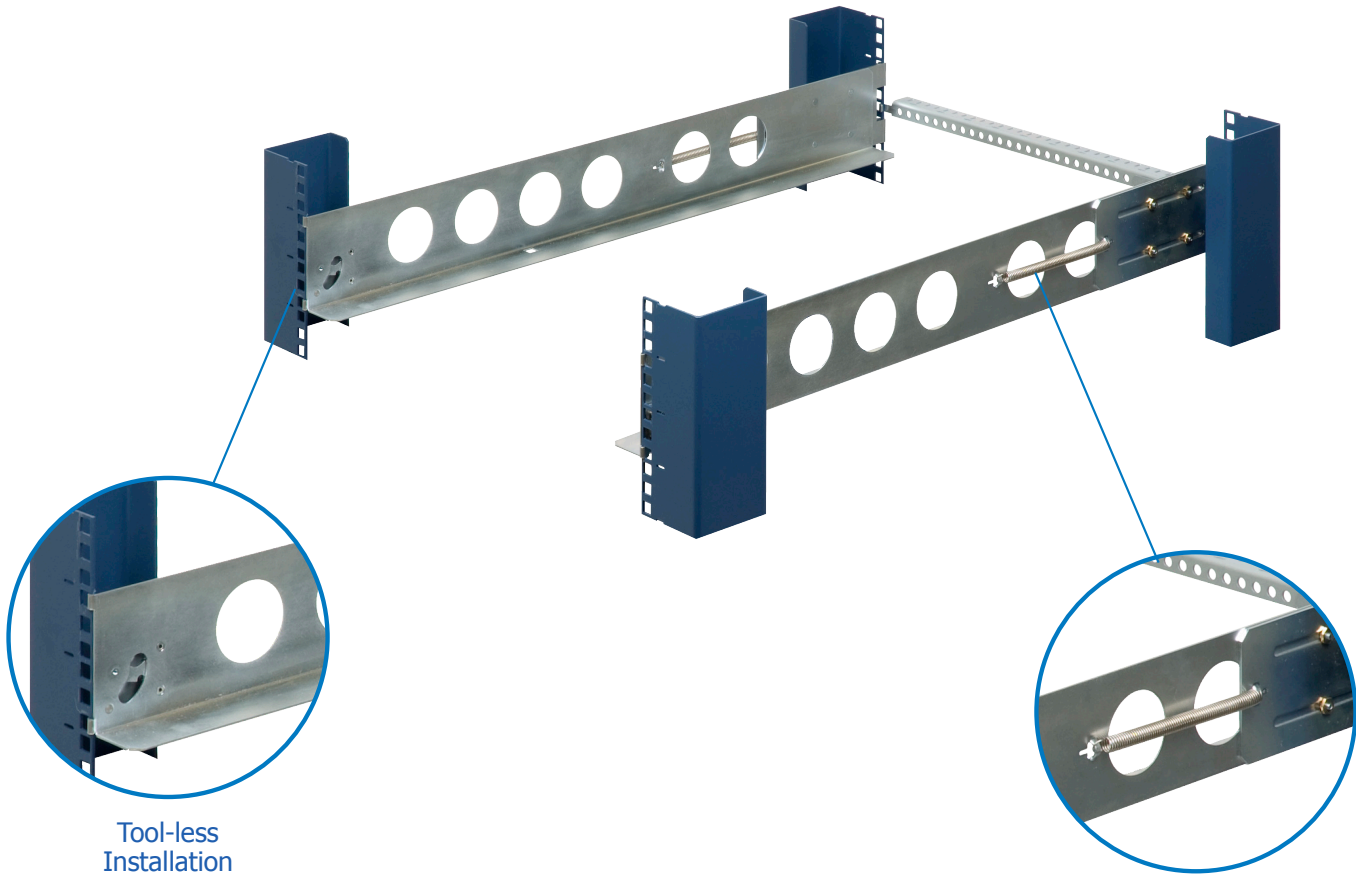


## Tool-less Universal Rails Rail Model 109-QR



Tool-less  
Installation

Adjustable Depth

### FEATURES

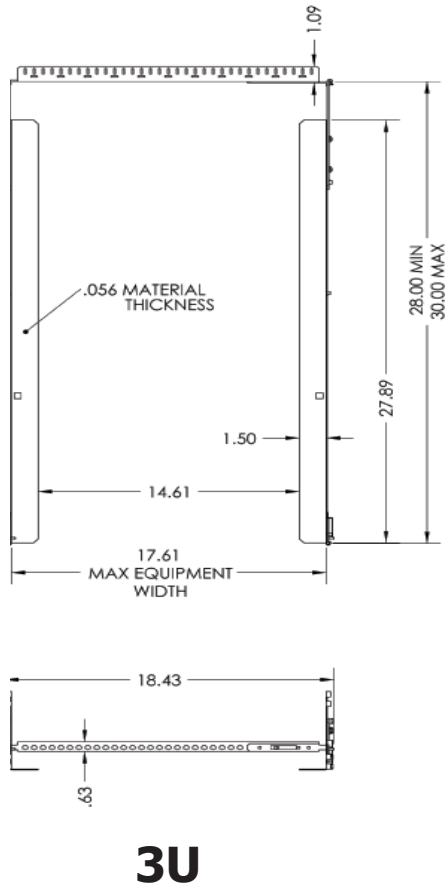
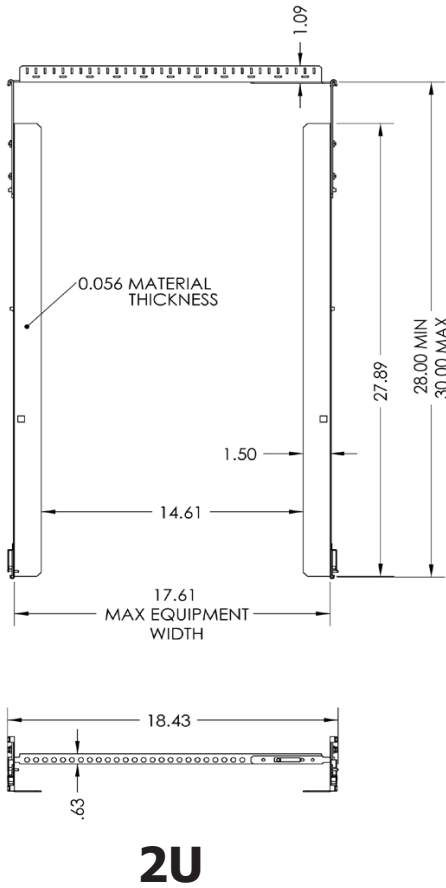
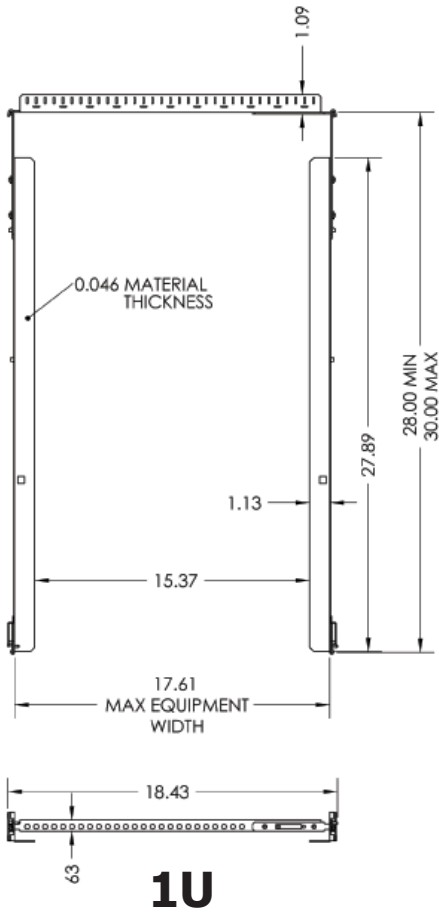
The Tool-less Universal Rails is a simple tool-less installation that is compatible with all standard 19" racks with a weight capacity of up to 200lbs. The Tool-less universal rails works with square hole racks and offers a mounting depth from 28-30".

### WHAT'S INCLUDED

- Screws
- Cage-nuts and nuts
- Cable management car

P/N	DESCRIPTION
1UKIT-109-QR	1U, Tool-less Rack Rails
2UKIT-109-QR	2U, Tool-less Rack Rails
3UKIT-109-QR	3U, Tool-less Rack Rails





**TECHNICAL SPECIFICATIONS**

**Rail Type**

- Non-sliding, fixed rail

**Rail Sizes**

- 1U, 2U, 3U

**Equipment Width**

- Maximum: 17.61" (447 mm)
- 1U Minimum: 16.63" (422 mm)
- 2U Minimum: 16.38" (416 mm)
- 3U Minimum: 16.75" (413 mm)

**Mounting Depth Range**

- 28" - 30" (711 - 762 mm)
- Other sizes are available

**Equipment Depth**

- Up to 35" (889 mm)

**Weight Capacity**

- 1U: 45 lbs (20.4 kgs)
- 2U: 75 lbs (34 kgs)
- 3U: 200 lbs (90.7 kgs)

**Overall Installation Depth**

- Max: The mounting depth, plus 1.8"
- Minimum: 24"