



Medium Density Vertical Cable Duct

Application

Our Medium Density Vertical Cable Duct features a T-finger design for lacing cables and cable pass-through holes for high end cable management. This cable manager comes in 3 pieces making it a modular solution and is put together with the use of brackets. A plastic hinged cover ensures professional and clean looking cable management. The Medium Density Vertical Cable Cable Duct uses tool-less button mounts to mount to any rack with button mounting points.

Features

- Hinged cover
- T-finger design for lacing cables
- Cable pass-through holes
- Tool-less button mounting
- 3 piece set



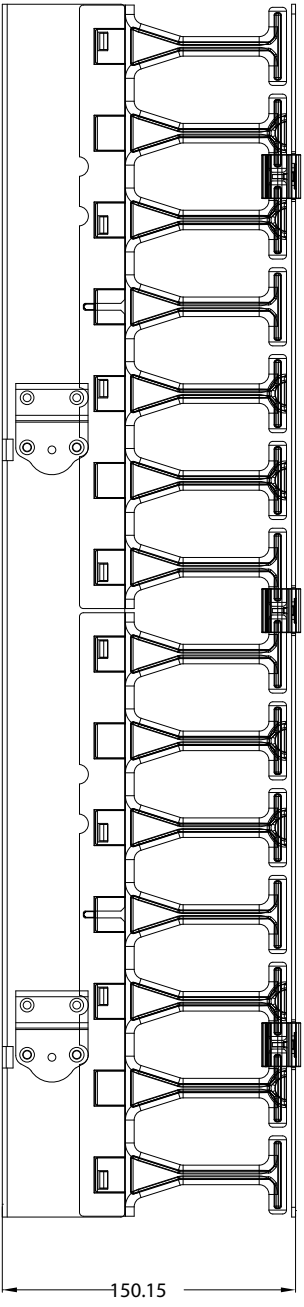
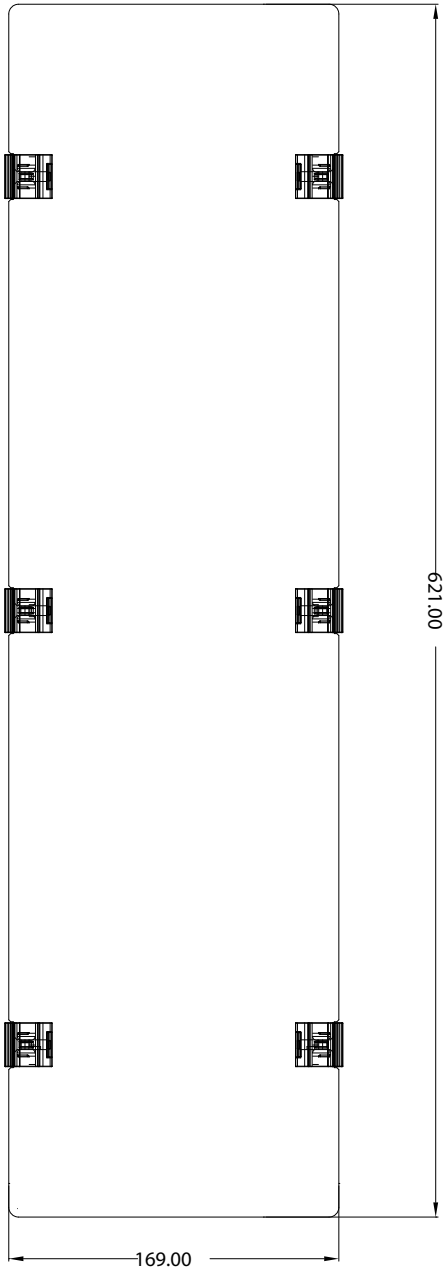
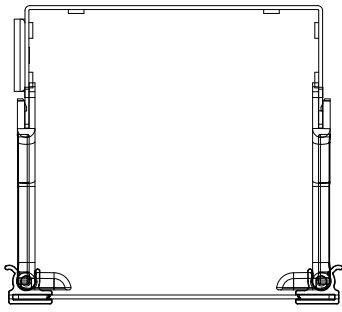
Part Number	Description
180-5257	Medium Density Vertical Cable Duct

Technical Specifications	
Cable Management	Vertical
Hardware	Included
RoHS Compliance	Yes
Rack Type	2 Post, 4 Post, Enclosed, Open Frame

www.lonestarracks.com

Phone: 972-201-3993 | Fax: (903) 453-0808 | Email: info@lonestarracks.com

Lone Star Racks, Inc. © Copyright 2016. All Rights Reserved. All other Marks are the property of their respective owners.



180-5257