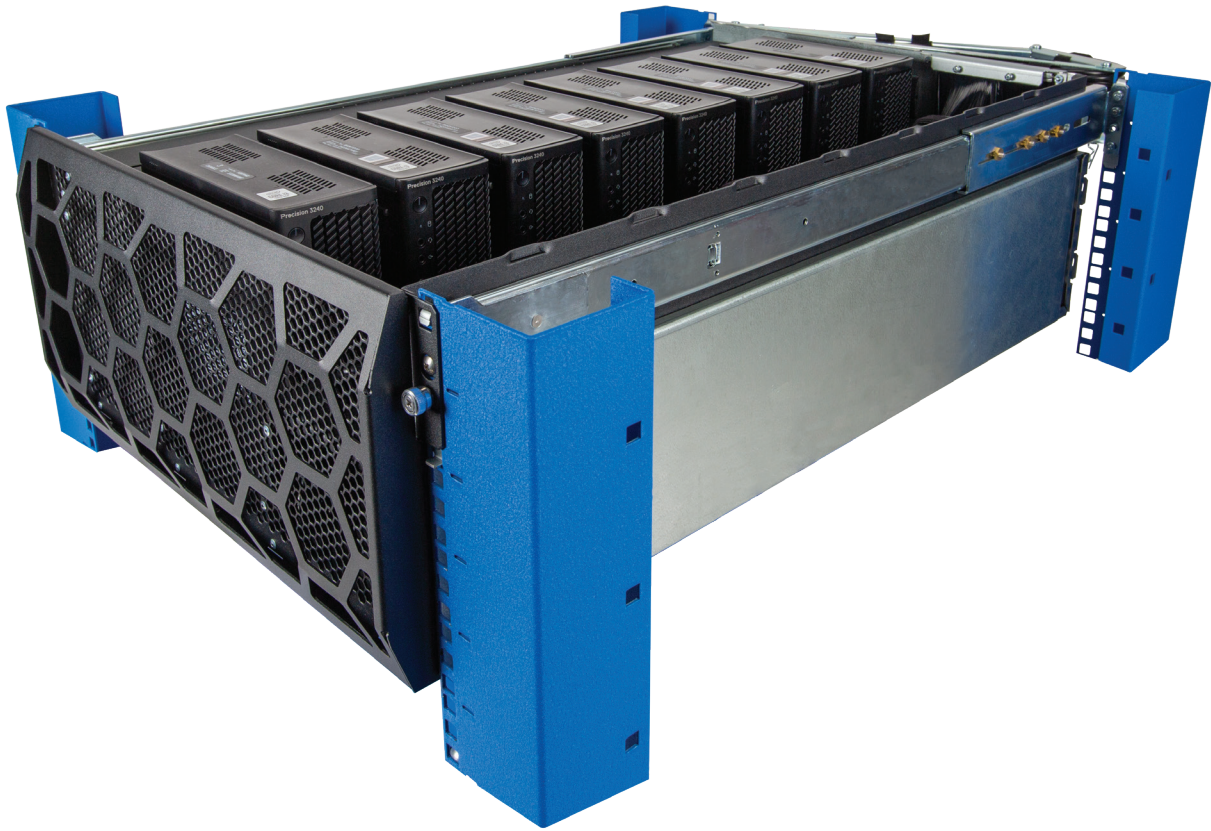


## HyperShelf for Dell Precision 3240

115-7844

### Maximize Space and Performance

RackSolutions HyperShelf for Dell Precision 3240 allows you to mount 8 Precision PCs in a 5U sliding enclosure. We built these mounts to perfectly optimize space and airflow so that the customer can make sure that their Dell PC's will last and perform.

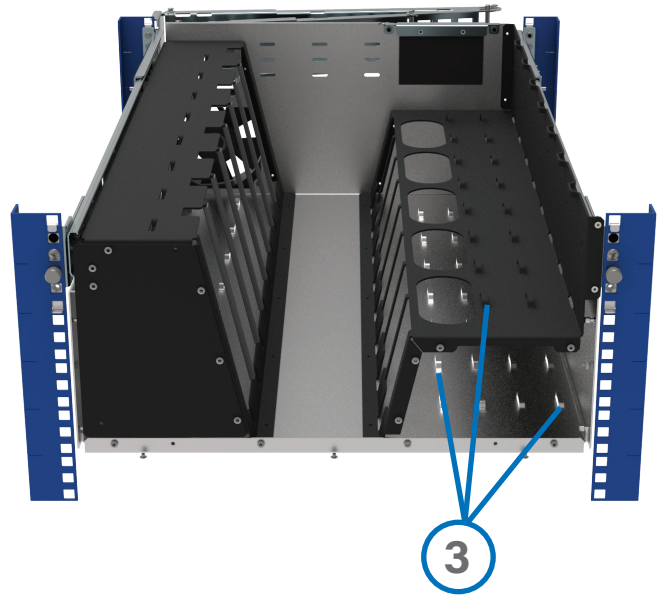
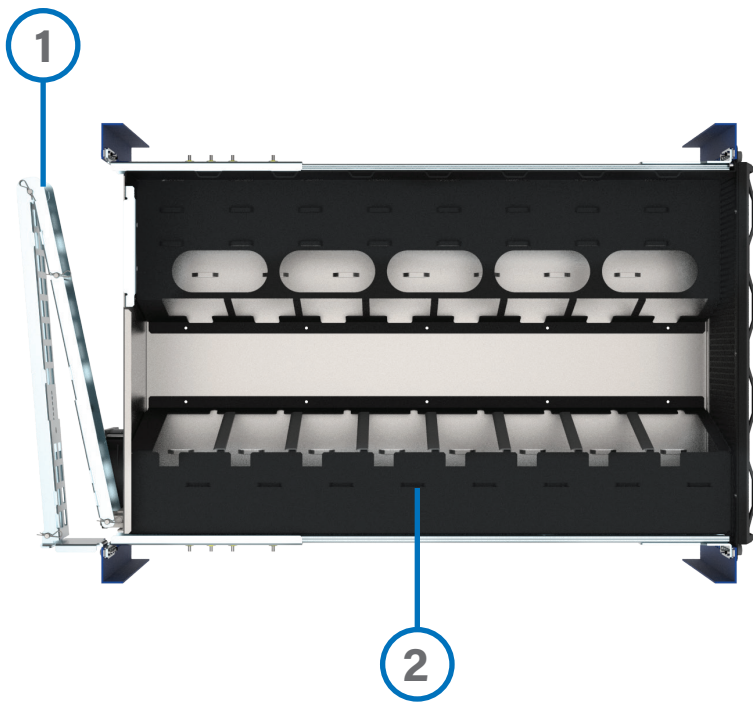


### Optimize at scale

- Decrease deployment times with quick mount rail design and increased shelf density
- Designed for enterprise deployments and data center environments
- Lower installation cost per device
- Does not interfere with power button or peripheral ports
- Allows for mounting of the Precisions external power adapters

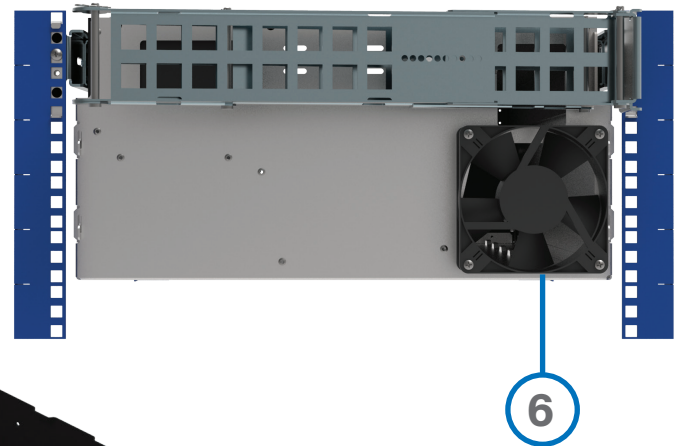
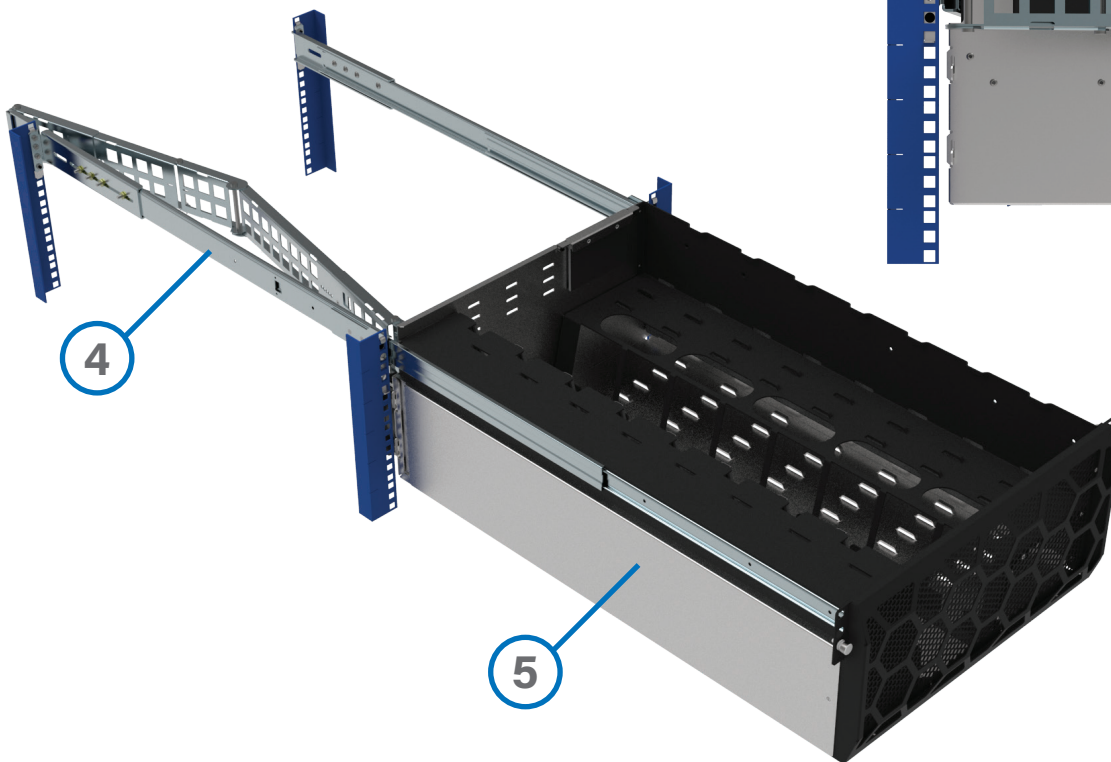
[RackSolutions.com](https://www.RackSolutions.com)

Toll Free: 1-888-903-7225 | Email: [info@racksolutions.com](mailto:info@racksolutions.com)



## Design Features

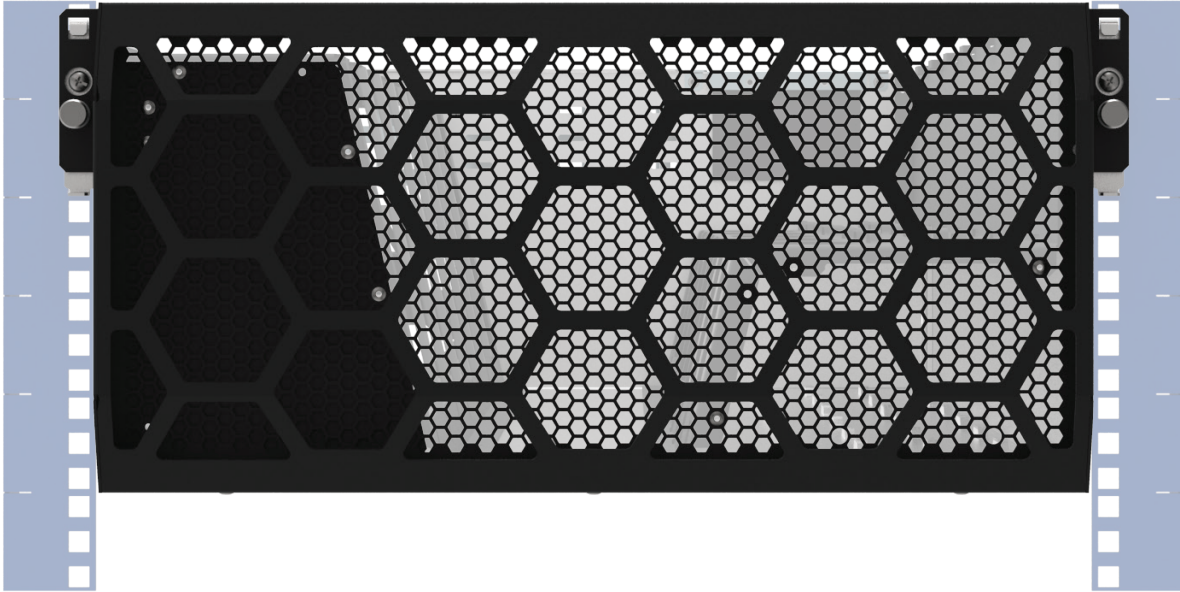
1. Fully articulating Cable Management Arm
2. Designated cable pathways with integrated tie points
3. Designated tie down points for power adapters
4. High-quality ball bearing slide rails with high capacity and full extension
5. Removable side panels for cable access and exhaust containment
6. Integrated fan for increased airflow



**If we can't mount it, no one can.**

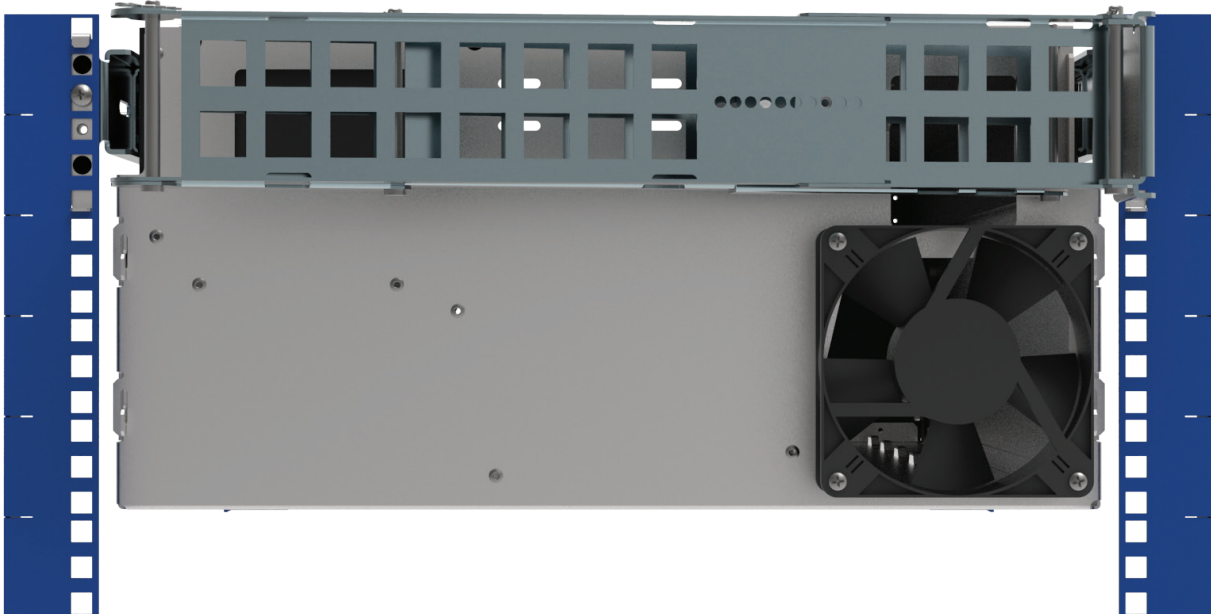
# Airflow Management

Front



- Intake and exhaust manifolds separate hot and cold air
- Integrated 120mm Exhaust fan to increase air flow and cooling capacity
- Thermal performance rivals stand-alone Dell Precision 3240

Rear

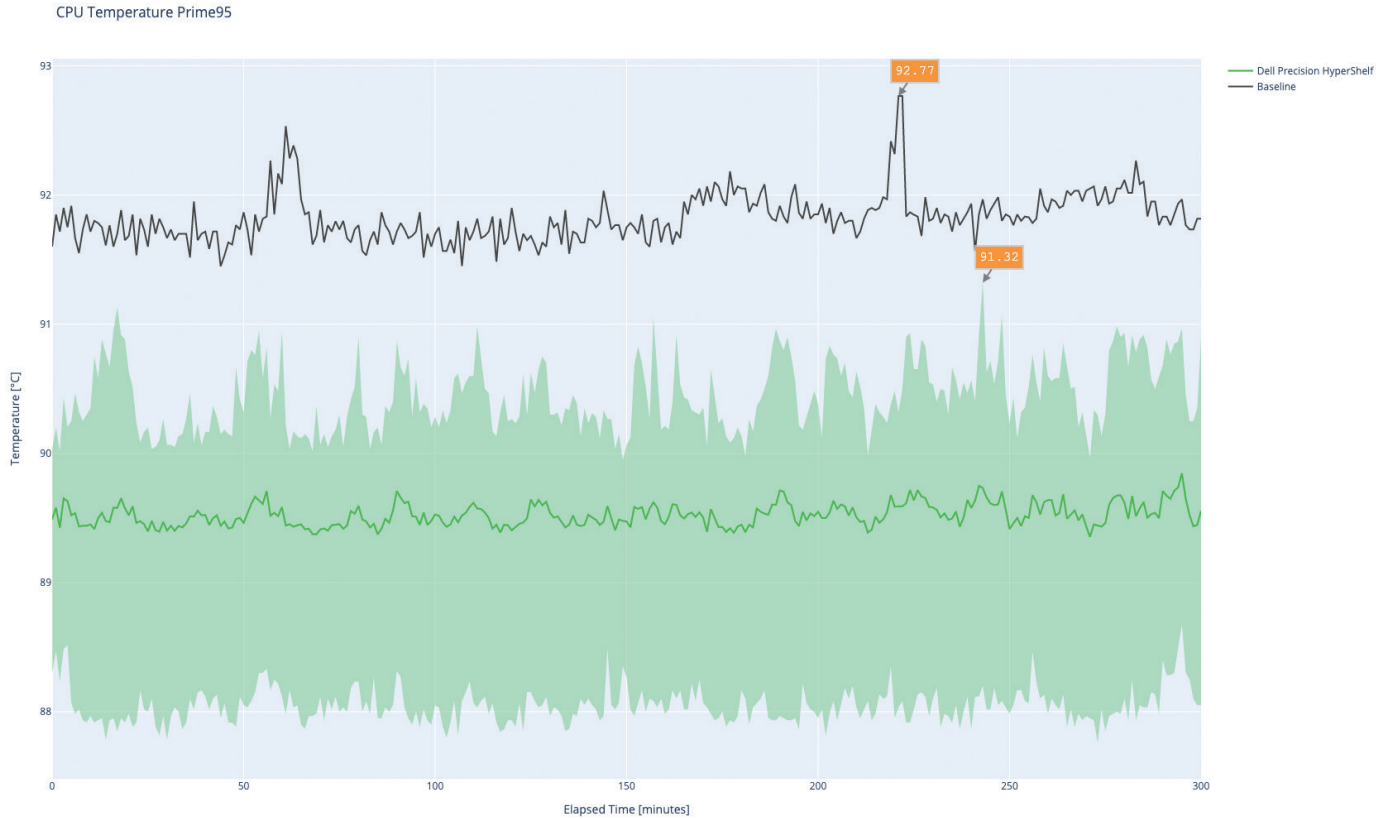


**If we can't mount it, no one can.**

# Temperature Testing Data :

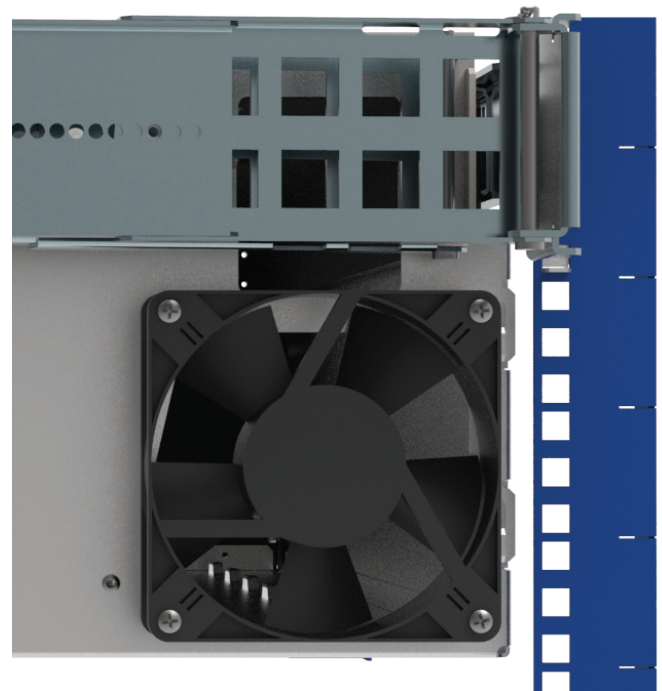
We tested the HyperShelf for Dell Precision 3240 to ensure the shelf's cooling capacity will meet all the necessary cooling requirements of the PC's.

Our testing showed that when the HyperShelf with the integrated fan was installed in a data center environment, there was no performance decrease of the PC. The internal CPU temperatures of the Precision 3240's was actually lower in our shelf than what a single 3240 would experience in a standard office environment under the same load.



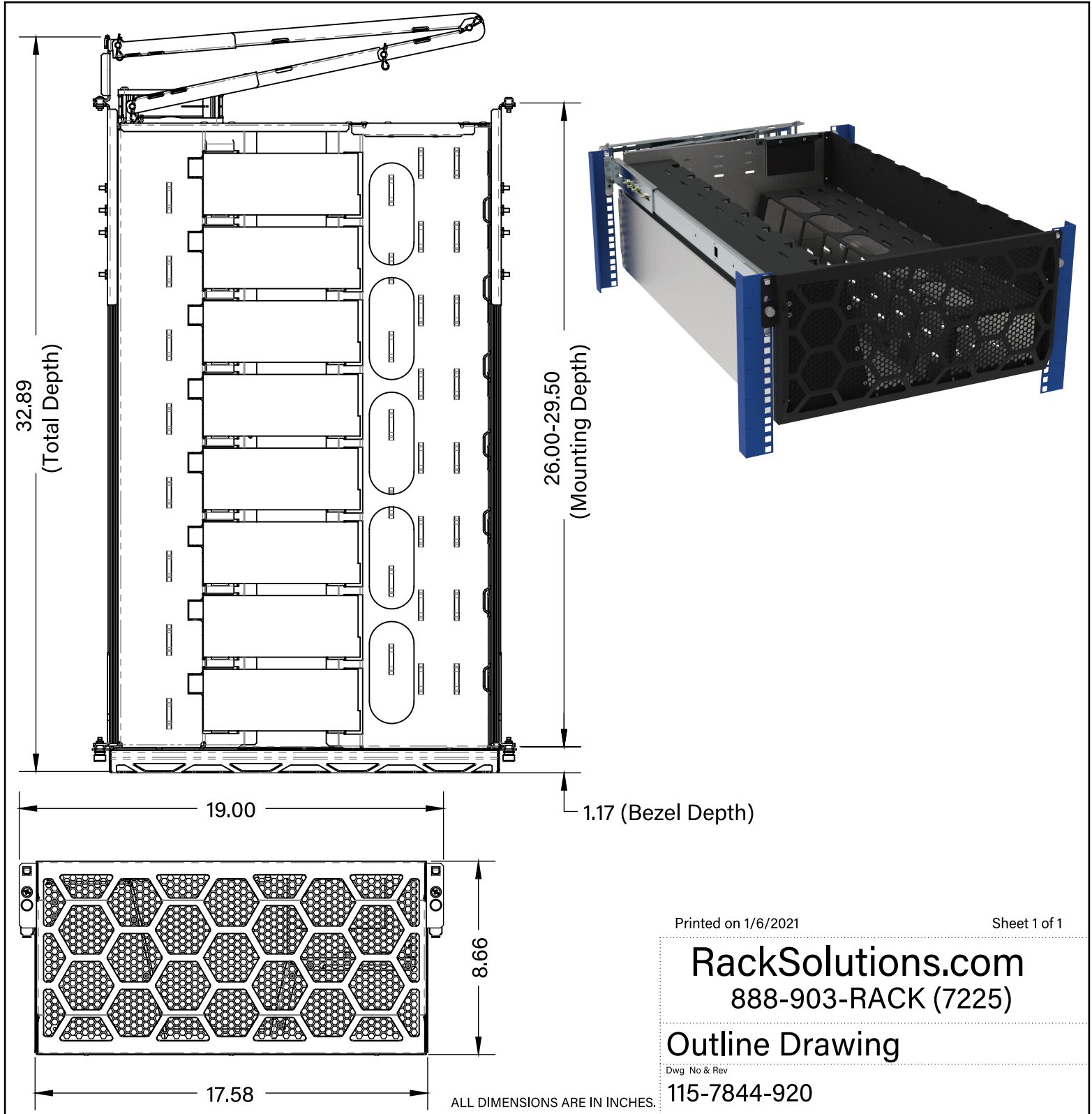
## Fan Specs:

- 120mm x 120mm x 38.5mm
- Operating Voltage: 85 to 265VAC
- Bearing Option: Ball Bearing
- Air Flow: 123.9 CFM (3.47<sup>3</sup>/min)
- Power (Watts): 9.50W
- Cable Plug Type: NEMA 1-15 Plug



**If we can't mount it, no one can.**

## Dimensional Drawings



Printed on 1/6/2021

Sheet 1 of 1

**RackSolutions.com**  
888-903-RACK (7225)

**Outline Drawing**

Dwg No & Rev

115-7844-920

[RackSolutions.com](http://RackSolutions.com)

Toll Free: 1-888-903-7225 | Email: [info@racksolutions.com](mailto:info@racksolutions.com)