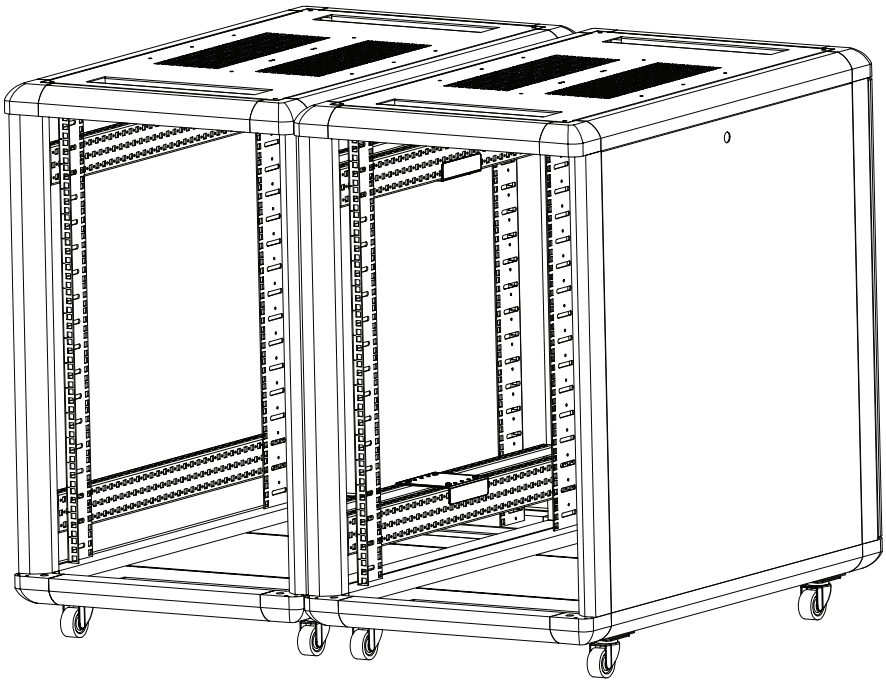


# Rack-151 Baying Kit



(Doors Removed for Clarity)

Installation Instructions  
Kit P/N: RACK-151-BAY

# Kit Contents

---

## (2) Baying Brackets

### Brackets:

Assembly Hardware Kit:

(8) 10-32 Cage Nuts

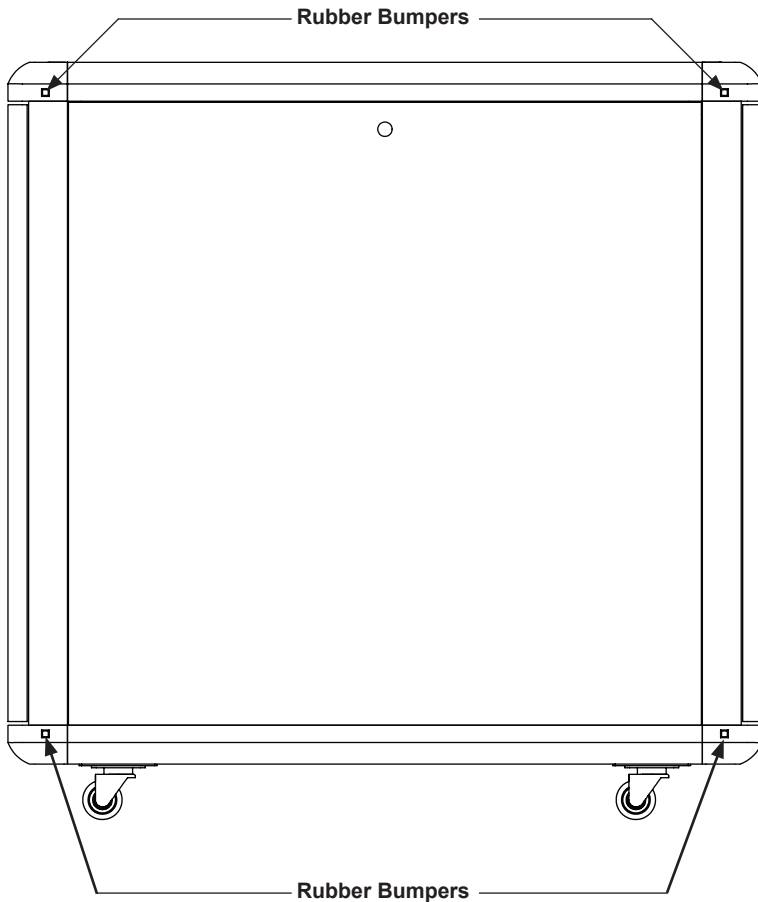
(8) 10-32 Pan Head Screws

(4) Bumpers

## Installation Instructions

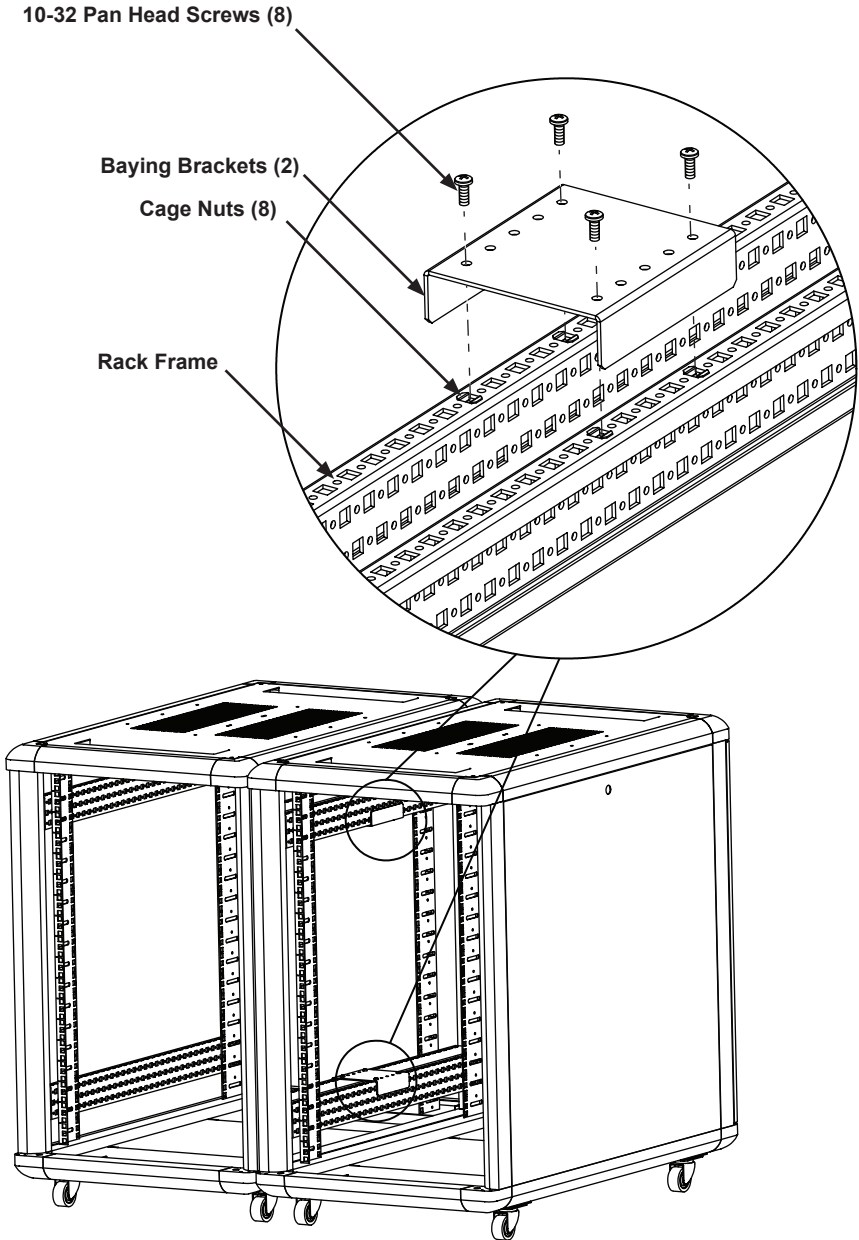
---

**Step 1. Rubber Bumper Attachment:** Identify the side of each Rack that you will be attaching and remove the side panels. Attach the Rubber Bumpers (4) at the four corner locations as shown below to one of the Racks.



# Installation Instructions

**Step 2. Bracket Attachment:** Set the Racks side by side. Install the Cage Nuts (8) at the top (4) and bottom (4) of the Rack as shown. Slide the Baying Brackets (2) over the Rack Frames and secure with the 10-32 Pan Head Screws (8) as shown.



Warranty Statement

Innovation First, Inc. warrants our products against defects in material and workmanship for a period of one (1) year from the date of purchase. Innovation First, Inc. liability shall be limited to repairing or replacing, at our option, any defective product.