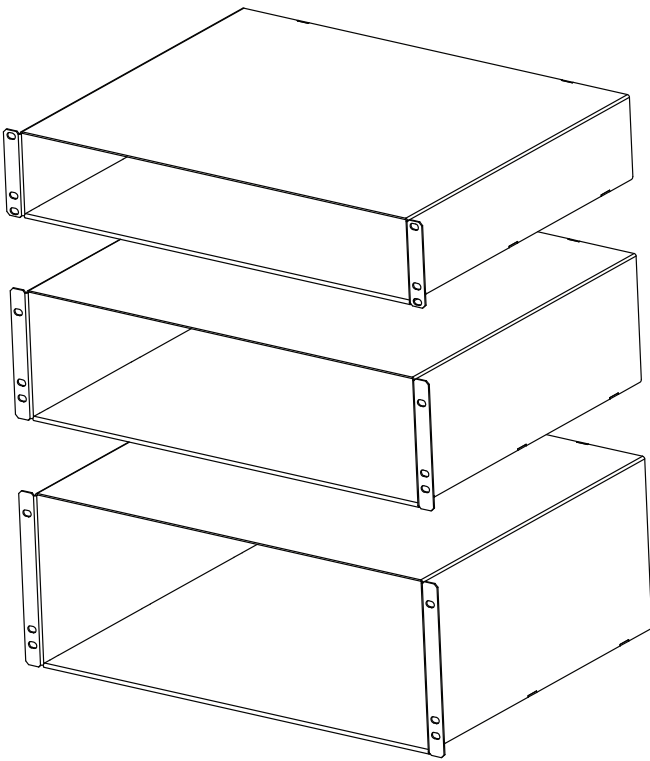


2U, 3U, 4U Rack Mount Storage Box



Installation Instructions

Kit P/N: 2UBOX-160

Kit P/N: 3UBOX-160

Kit P/N: 4UBOX-160

Kit Contents

Assembly Components:

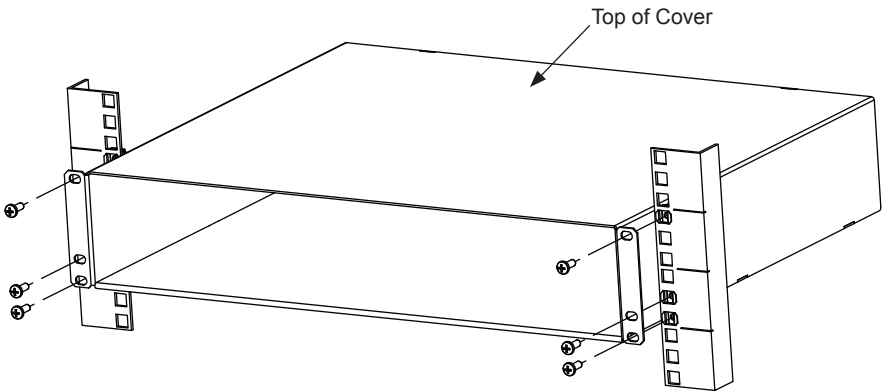
(1) Storage Box

Rack Mount Hardware:

(8) 12-24 Nuts
(8) 10-32 Pan Head Screws
(8) 12-24 Pan Head Screws
(8) 12-24 Cage Nuts "Black"

Installation Instructions

Step 1. Rack Mounting: Attach the Storage Box using the appropriate Rack Mount Hardware (see below).



Rack Mount Hardware

The Rack Hardware Kit provides various screws and nuts for the four most common types of racks.

Square Hole Racks: Install Cage Nuts in appropriate positions. Attach with the larger 12-24 Screws.

12-24 Threaded Racks: Attach with the larger 12-24 Screws.

10-32 Threaded Racks: Attach with the smaller 10-32 Screws.

Round Hole Racks: (non-threaded) Attach with the larger 12-24 Screws and the square nuts.

Warranty Statement

Innovation First, Inc. warrants our products against defects in material and workmanship for a period of one (1) year from the date of purchase. Innovation First, Inc. liability shall be limited to repairing or replacing, at our option, any defective product.